



PRODUCT SPECIFICATIONS

A photograph of a modern kitchen featuring white cabinetry with silver handles and decorative glass inserts. Two white pendant lights hang from the ceiling. A window with a dark frame is visible on the left. The background wall has a light-colored, textured finish.

History

J&K CABINETRY™ was founded in year 2003 with the goal of providing customers with the highest quality of cabinets available at an affordable price. For the past 23 years, J&K has been providing distinctive and stylish line of kitchen cabinets and bathroom vanities, and it continues to grow today as a unique cabinet brand.

Products

All of J&K's cabinets and vanities are ready-to-assemble (RTA), ready-to-build (RTB), and semi-customizable to the customers' specific needs. J&K products are constructed with 100% solid wood doors and frames, 1/2" to 5/8" thick plywood boxes, soft-close metal door hinges, 3/4 to full extension drawers with soft-close metal glides, and more.

By making all these "optional upgrades" a necessary standard, the overall quality, functionality, durability, and value of J&K products are significantly improved without adding the burden of higher prices for the customers.



CONTENTS

- 01** Door Styles & Finishes
- 03** Environmental Commitment
- 04** Finest Furniture Finishes
- 05** Superior Construction
- 06** Standard Features
- 07** J&K Specification & Nomenclature
- 08** J&K Cabinet Dimensions
- 09** Warranty
- 11** Maintenance & Care
- 12** Base Cabinets
- 18** Wall Cabinets
- 31** Glass Shelf & Insert
- 32** Pantry & Oven Cabinets
- 34** Storage & Organization
- 36** Hoods & Specialty Cabinets
- 37** Bathroom Vanities
- 42** Dummy Doors, Drawers & Replacements
- 48** Panels & Fillers
- 51** Moldings
- 56** Valances & Decor Blocks
- 58** Onlays, Corbels & Posts

Door Styles & Finishes

| TRANSITIONAL |



B5 (coming 2026)
Pure



B6
Pebble



B7
Naval



B8
Butterscotch

Notes: Constructed with ALL-WOOD reversed raised panel door for B-series.



E1
Dove



E2
Charcoal



E3 (coming 2026)
Sage

Notes: Constructed with plywood center panel for E-series.

***Note:** The photography and color samples shown in this spec book have been reproduced as accurately as printing technologies permit and are for representation only. To ensure the highest satisfaction, we strongly recommend you view an actual product sample prior to ordering cabinetry.

| TRANSITIONAL |



H9
Pearl Glazed



K3 (discontinue 2026)
Greige

| CONTEMPORARY |



S8
White



S5
Castle Grey

Notes: Constructed with ALL-WOOD reversed raised panel door for S-series.

***Note:** Natural wood characteristics such as gum pockets, streaks and pin knots may be visible, particularly with some of our light paints. These characteristics tend to be more pronounced on the backs of our drawers and doors.

***Note:** Availability for a particular product style and color may vary depending on locations. Please check with your local *J&K Cabinetry* authorized wholesaler for current availability before planning your projects.

Environmental Commitment



J&K Cabinetry believes that a healthy environment is the backbone to the happy lives of our customers and our society. In addition to its continued effort to improve product qualities and values, J&K is committed to providing environmental-friendly and healthy products.

J&K products' hardwood-plywood materials are "EPA TSCA Title VI Compliant," also known as "CARB 2 Compliant" for formaldehyde. J&K also uses AkzoNobel, a leading global company in sustainable paints and coatings, for its cabinet finishes.



Finest Furniture Finishes

J&K's solid wood cabinet finishes are processed through the following excellent craftsmanship details:

1. The finest solid wood is sanded until smooth and vacuumed.
2. An equalizer stain is applied to balance the base color of the wood.
3. A toner is applied to establish color uniformity.
4. A deep penetrating stain is applied to reveal the hidden beauty of the natural grain.
5. All stained surfaces are hand-rubbed and wiped of excess stain and then slowly air-dried.
6. A wood sealer is applied, penetrating all exposed wood surfaces for uniform protection.
7. All surfaces are hand-sanded, providing a smooth, consistent surface.
8. A glaze is applied by hand (if applicable).
9. A color consistency examination is performed with additional touch-ups, if needed.
10. A final protective top coat is applied, maximizing resistance to scuffing, moisture, fading and most household chemicals.



*Notes:
NOT Actual Product;
Image For Reference Only.*

Natural Wood Characteristics:



Arce



Burl Grain



Open Knots



Bird's Eye

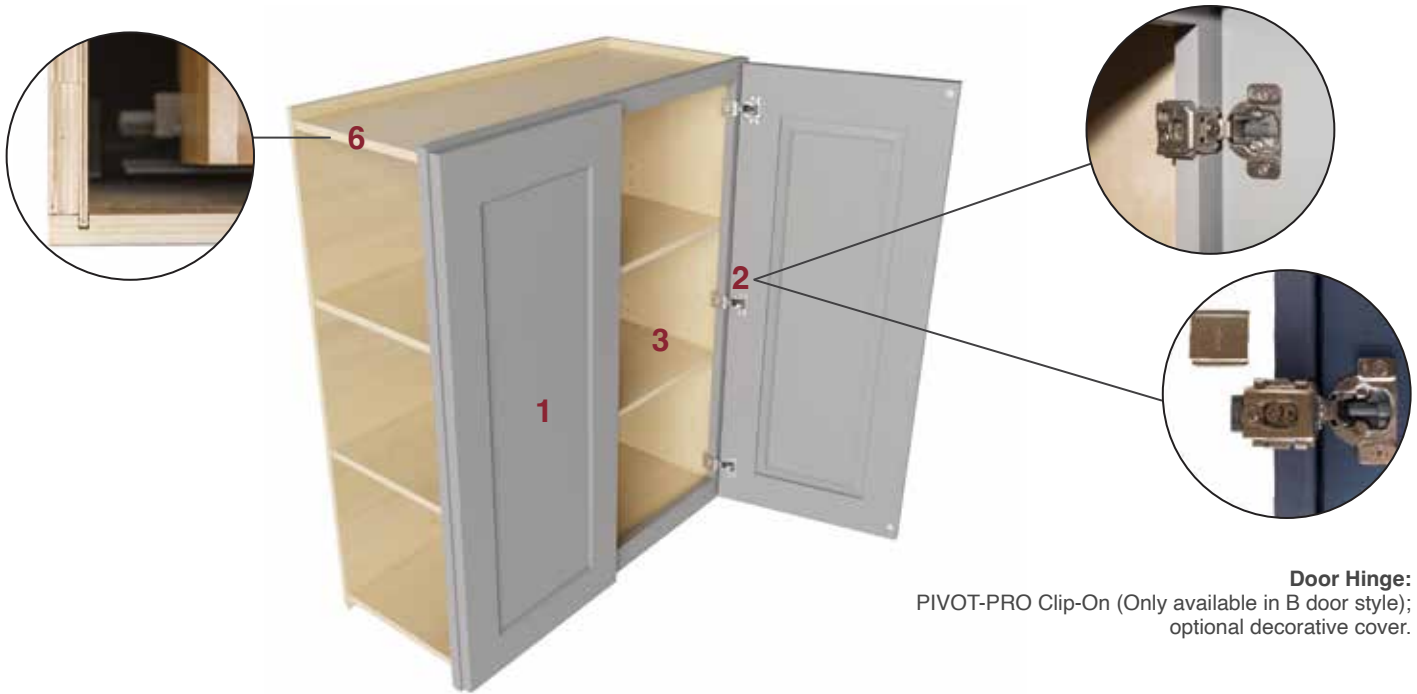


Mineral Streaks



Heartwood

Note: All solid wood may contain natural "imperfections," such as variations in color, grain, mineral streaks and knots.



Wall Cabinet with two doors (Sample only).



Base Cabinet with one drawer and one door in Castle Grey (S5).

Standard Features

All J&K's cabinets and vanities are superiorly constructed with 100% solid wood and proudly come with the following **STANDARD** features:

1. **DOOR PANEL** – 3/4" thick solid wood, full overlay door.
2. **DOOR HINGE** – 6-way adjustable, soft-close metal and hidden Euro-style.
– PIVOT-PRO Clip-On (ONLY available in B door style): optional decorative cover.
3. **ADJUSTABLE SHELF** – 3/4" thick cabinet-grade plywood, clear coat finish on all sides and edges; with metal shelf rests.
4. **DRAWERS** – 5/8" thick solid wood on all sides, dovetail construction.
5. **DRAWER GLIDE** – 3/4 to Full extension pull-out, soft-close metal and concealed under-mount.
6. **PLYWOOD BOX** – 1/2" to 5/8" thick cabinet-grade plywood, clear coat finish on interior sides; matching color finish on exterior sides.
7. **METAL BRACKET** – Corner bracket reinforcements in base cabinets for maximum stability.
8. **DOOR BUMPER** – Promotes quiet-closing and reduces slamming for maximum durability.

Tilt-out Trays have been another upgrade and **STANDARD** feature in all of J&K's Kitchen Sink Base and Vanity Sink Cabinets.



NOTE:

As we continue to improve our product qualities and designs, the actual functionality of *Door Hinges* and *Drawer Glides* may vary slightly between existing and newest product styles and finishes. Please check with your local J&K Cabinetry authorized wholesaler for the most current updates.

J&K Specification & Nomenclature

All of J&K's cabinet dimensions come in 3" increments ranging from 9" to 42" in width for regular Base Cabinets and Wall Cabinets. Height and depth usually come in standard (and unlisted) sizes. Other non-standard or special dimensions are either fully listed or unspecified.

Note: For single-door cabinets, like the B15 labeled as 15" wide, the frame intentionally measures 15 and 1/8" to align aesthetically with double-door counterparts like the B30. This does not apply to our 9" wide single-door cabinets to meet specific design criteria.

Kitchen Base Cabinets

with standard unlisted height and depth:

B12
=
B,12, 34-1/2, 24
=
Letter Code, Width, Height, Depth

Kitchen Wall Cabinets

with standard unlisted depth:

W3036
=
W, 30, 36, 12
=
Letter Code, Width, Height, Depth

Bathroom Vanity Cabinets

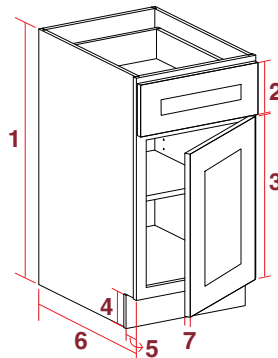
with standard unlisted height:

FA2421
=
FA, 24, 33, 21
=
Letter Code, Width, Height, Depth

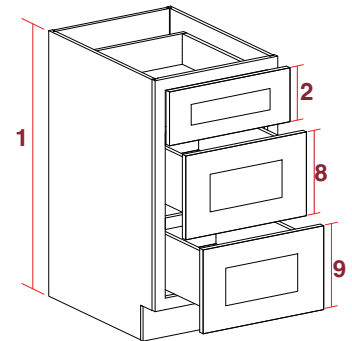
J&K Cabinet Dimensions

KITCHEN CABINET DIMENSION :

- 1 Standard 34-1/2"
- 2 6" on K3
7" on S-series, H9, E-series, B-series
- 3 23" on K3
22" on S-series, H9, B-series
21-7/8" on E-series
- 4 Standard 4-1/2"
- 5 Standard 2-1/2"
- 6 Standard 24" (To the face frame)
- 7 Standard 3/4"
- 8 11-3/8" on K3
10-7/8" on S-series, H9, B-series
10-3/4" on E-series
- 9 11-3/8" on K3
10-7/8" on S-series, H9, B-series
10-3/4" on E-series



B18



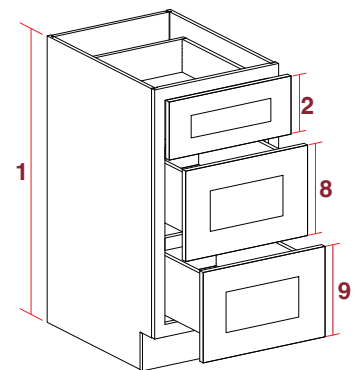
DB21-3

VANITY CABINET DIMENSION :

- 1 Standard 33"
- 2 6" on K3
7" on S-series, H9, B-series
- 3 21-5/8" on K3
20-1/2" on S-series, H9, B-series
20-1/2" on E1, E2
- 4 Standard 4-1/2"
- 5 Standard 2-1/2"
- 6 Standard 21" (To the face frame)
- 7 Standard 3/4"
- 8 10-5/8" on K3
10-3/8" on S-series, H9, B-series
10" on E-series
- 9 10-5/8" on K3
10-3/8" on S-series, H9, B-series
10" on E-series



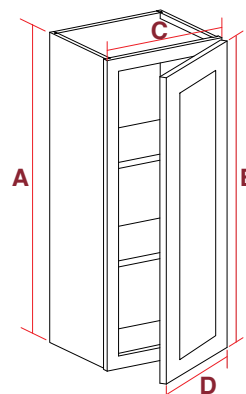
SVA09B



SVA21D

WALL CABINET DIMENSION :

- A 36"
- B 35-1/2" (Door dim.)
35-3/16" on E-series
- C 18"
- D 17-3/4" (Door dim.)
17-11/16" on E-series



W1836

Notes:

Vanity FA#### Cabinets, 1/8" – 1/2" deviation expected.
Door opening direction: Flip the Wall Cabinet to change the hinge side.
Unscrew the Base Cabinet door to switch hinge side.



J&K FIVE YEAR LIMITED WARRANTY

J&K CABINETS ("J&K") extends the following limited warranty on all cabinets sold by J&K within the United States and Canada. This Limited Warranty is only applicable to Products sold to the original purchasing consumer on or after January 1, 2019. J&K warrants that all cabinets purchased from J&K will be free from all unnatural defects in material and workmanship in accordance with J&K quality standards sheet under normal residential use for 5 years from the date of the original purchase or as long as the original purchasing consumer owns the home in which such cabinets are installed, whichever is less. This warranty is non-transferable to subsequent owners of the home. Door hinges and all drawers glide system, including system hardware (lift system), however, are warranted for only 1 year under normal residential use from the date of the original purchase. PLEASE NOTE: this limited warranty is only applicable to products purchased directly from authorized retailers or distributors. Warranty claims for products purchased from online retailers, auction websites, any unauthorized third-party sellers may not be honored. We strongly recommend purchasing our products from authorized sellers to ensure the validity of the warranty.

THIS LIMITED WARRANTY IS SUBJECT TO ALL LIMITATIONS, EXCLUSIONS, DISCLAIMERS, AND PROCEDURES SET FORTH HEREIN.

The warranty does not cover defects caused by improper handling, storage, dirt, chemicals, abrasive or citrus cleaning products, installation, assembly or disassembly, transit or other intentional or negligent damage, product modifications, exposure to the extreme moisture, humidity or excessive heat or cold (temperature outside the range of 50-85°F and humidity outside the range of 30-55% are considered extreme), nor does it cover defects arising from normal wear and tear, misuse, neglect, accidents, alterations, improper use, exposure to improper loads, or failure to maintain properly. Any modification to the hardware structure or finish of the original consumer purchaser's cabinetry by anyone other than those specifically authorized by J&K to do so shall void this limited liability warranty. The product must be used exclusively for its intended purpose in order to be covered by this limited liability warranty. This limited liability warranty shall become void if the cabinets or any components or parts thereof are in any way modified, improperly installed or damaged prior to or during installation, or installed or used in other than normal residential applications.

Natural woods may vary in color, grain pattern, and characteristics and exhibit subtle changes as they age. Wood characteristics that naturally occur, such as variations in color, grain, mineral streaks and knots, are not considered defects. J&K will not be held responsible for these variations in your cabinetry. For example, painted doors, drawer fronts, and face frames may eventually have visible cracking around the joint area, and cabinet colors may darken or lighten over time. These conditions are considered a normal occurrence and are not included or covered by this limited liability warranty. A glazed finish by character is an uneven finish. Some edges and profiles will have heavier hang up than others and glazing may vary cabinet to cabinet, door to drawer and item to item. This may result in overall color variations but is not considered a defect. UV light, Sunlight, smoke, household cleaners, and other environmental conditions may also affect the color and integrity of the Product's finish or appearance over time. These variations are considered to be the nature of the material in relation to their environmental exposure and are not considered defects in material or workmanship and are not covered under this Limited Warranty.

Mitered door joints in particular are likely to react to conditions of their environment. Gaps that may develop in door joints due to conditions of their environment are not included or covered by this limited liability warranty. This limited liability warranty does not cover or apply to hairline cracks of cabinetry; hairline cracks are unavoidable in wood cabinets given the nature of the material. Every species and grade of solid wood behaves in such a way as to eventually result in hairline cracks.

Wood is wood and expansion and contraction still happen year after year as it compensates and adjusts to ever changing atmospheric humidity and temperature conditions. Observing shrinkage, expansion, and even visible lines on center panels of doors is very common. It will return to its natural position once it has adjusted to seasonal changes. For the same reason, all door warpage greater than 1/4" will be warranted. Please remove all doors and check them on a flat surface for the above stated warpage before requesting replacement.

Warranty Performance. J&K periodically updates and makes changes to its product line and specifications. If a warranty claim is filed during the warranty period against obsolete or changed product and repair is not possible, J&K will, at its sole option, repair or replace the part under warranty with a new part of the same style or with a similar style currently offered and does not include or cover any other costs, including but not limited to any costs of service, labor, shipment, transportation, removal or installation related to the repair or replacement. J&K is not responsible for a replacement product that may not match the installed product exactly. If a manufacturing defect occurs within this limited liability warranty's terms and conditions and J&K determines to replace the defective cabinet or component or part thereof, J&K will ship the replacement cabinet or component or part thereof to the original consumer purchaser via ground shipper or freight carrier, at J&K's sole discretion.

DISCLAIMER OF OTHER WARRANTIES:

THIS WRITING IS THE COMPLETE AND EXCLUSIVE REMEDY FOR ANY ORIGINAL CONSUMER PURCHASER. FOR BREACH OF WARRANTY. THE STATEMENT OF THE EXPRESS WARRANTIES PROVIDED HEREIN IS IN LIEU OF ANY AND ALL OTHER EXPRESS AND/OR STATUTORY WARRANTIES, TO THE EXTENT PROVIDED BY LAW. IN NO EVENT SHALL J&K BE LIABLE FOR INCIDENTAL OR CONSEQUENTIAL DAMAGES TO ANY ORIGINAL CONSUMER PURCHASER OR A THIRD PARTY, INCLUDING BUT NOT LIMITED TO DAMAGES ARISING FROM PERSONAL INJURY, LOST PROFITS, LOSS OF BUSINESS OPPORTUNITIES, LOSS OF PROPERTY, ECONOMIC LOSS, STATUTORY OR EXEMPLARY DAMAGES, WHETHER FROM NEGLIGENCE, WARRANTY, STRICT LIABILITY OR OTHERWISE. ANY AND ALL IMPLIED WARRANTIES OF MERCHANTABILITY, FITNESS FOR A PARTICULAR PURPOSE, COURSE OF DEALING AND USAGE OF TRADE, AND ANY AND ALL OTHER WARRANTIES, EXPRESS OR IMPLIED, ARE EXCLUDED AND DISCLAIMED, EXCEPTING ONLY THOSE EXPRESS WARRANTIES SPECIFICALLY SET FORTH IN THIS LIMITED LIABILITY WARRANTY. IN NO EVENT SHALL J&K BE LIABLE FOR ANY INDIRECT DAMAGES RESULTING FROM INSTALLATION, USE OR FAILURE OF ITS PRODUCTS. THIS LIMITED LIABILITY WARRANTY IS J&K'S SOLE WARRANTY, AND NO DEALER, DISTRIBUTOR OR AGENT POSSESSES ANY AUTHORITY WHATSOEVER TO MODIFY OR ENLARGE THIS WARRANTY IN ANYWAY. SOME STATES DO NOT ALLOW LIMITATIONS ON HOW LONG AN IMPLIED WARRANTY LASTS, SO THE ABOVE LIMITATION MAY NOT APPLY TO YOU.

CLAIMS:

To file a warranty claim, first contact your locally authorized J&K builder, dealer or distributor who installed and sold the J&K product. They will obtain the information necessary to make a claim decision and forward such information in writing to J&K. A dated sales receipt as proof of purchase is also required to obtain benefits from these warranties. At its discretion, J&K may require an inspection of the allegedly defective product before repairing or replacing. If you have difficulty obtaining assistance, please email all documents to contact@jandkcabinetry.com, with an explanation of the defect. Please do not send the allegedly defective cabinet or component or part thereof to J&K, unless and until expressly requested to do so by our claims department. Pictures of cabinets or components or parts thereof may be requested by J&K. Making a fraudulent claim may be a crime, and violators may be prosecuted. J&K reserves the right to make all final decisions regarding warranty claims.

This limited liability warranty and its enforcement, and any and all claims or disputes arising out of, relating to or in connection with this limited liability warranty or the making, performance or interpretation of this limited liability warranty, shall be (1) governed by and construed exclusively in accordance with the laws of the State of New York, without regard to the conflicts of law or choice of law principles of the State of New York or any other jurisdiction (including but not limited to U.S. federal law) that would require the application of the law of any other jurisdiction, and (2) brought only in the United States District Court for the District of Southern District of New York or the New York Supreme Court, Nassau County.



General Information:

1. As a general rule, keep all cabinet surfaces dry at all times.
2. Cabinet surfaces shall be dried immediately with a soft, lint-free cotton cloth.
3. Avoid using a dish cloth or sponge. Avoid ammonia-based cleaners and soaps with dye. Harsh detergent residues may harm cabinet finishes.
4. As with all wood products, quick temperature changes and excessive moisture can be harmful to the cabinet finish and overall cabinet stability.

Basic Cleaning:

1. To remove dust after installation and for initial cleaning, use a soft, lint-free cotton cloth to wipe down all exterior and interior surfaces.
2. For regular basic cleaning, use a soft, lint-free cotton cloth dampened with a mild detergent or soap and warm water. For best results, use a blotting action rather than a wiping motion, when cleaning.
3. Wipe up food spills and water spots immediately with a lint-free cotton cloth, so moisture is not absorbed into the cabinet surfaces.

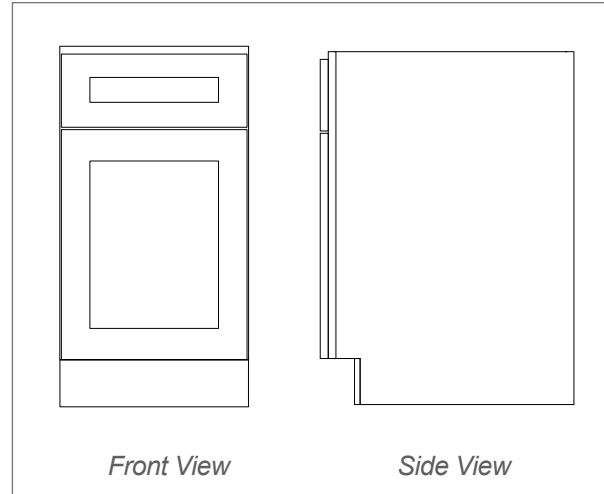
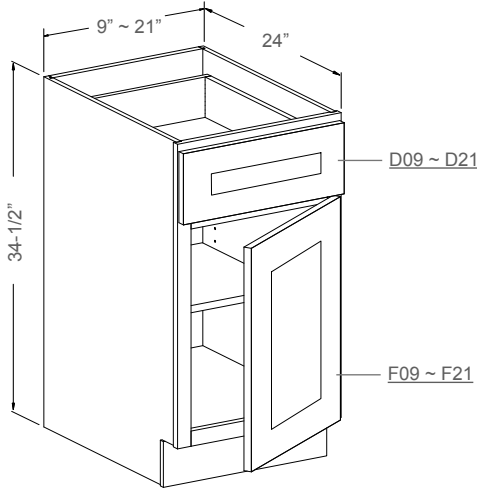
Cleaning of Glass Door Inserts:

1. Use a household glass cleaner with a soft, clean cloth.
2. Apply the glass cleaner directly to the cleaning cloth rather than on the glass or mirror.
3. Avoid excess glass cleaner running into the cabinet joints.
4. Ammonia should never be used in full strength.

Basic Care & Things to Avoid:

1. When in doubt of a cleaner's suitability, DO NOT USE.
2. Never use scouring pads, steel wool, wire brushes or powdered cleansers.
3. Never leave a cloth moistened with cleaner on any cabinet surface for any length of time.
4. Check the areas around the sink and dishwasher to make sure that water and detergents do not dry on the cabinet surfaces.
5. Avoid draping wet or damp dish towels over doors of the base cabinets.
6. Do not attach towel racks to the interior of cabinet doors.
7. Avoid placing small kitchen appliances where the heat or steam is directed onto cabinet surfaces.
8. Do not leave printed materials (newspapers, magazines, etc.) on the cabinet surfaces, as the printing can bleed into the cabinet finish.

Base Cabinet With 1 Drawer & 1 Door



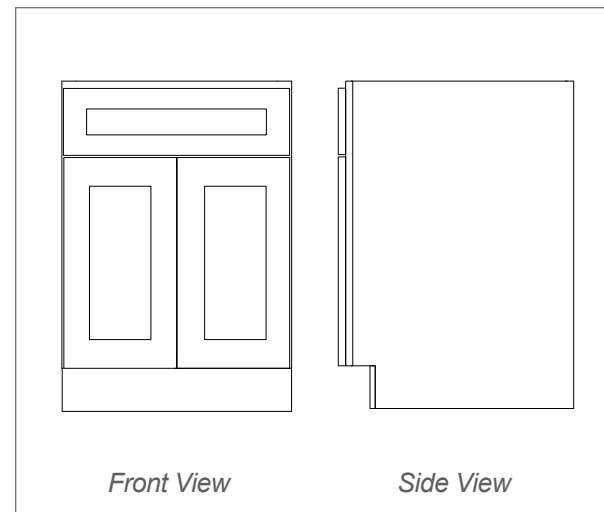
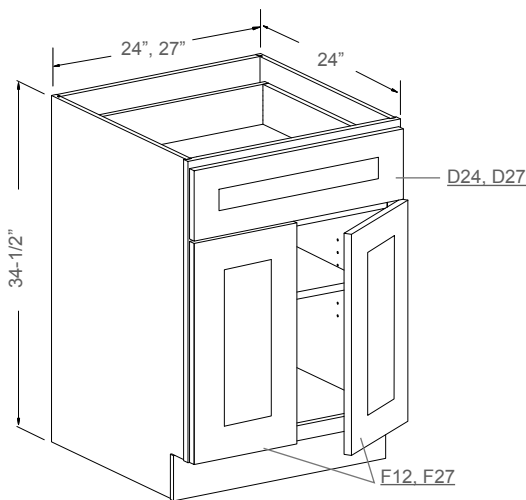
Features

- 1 Drawer
- 1 Door
- 1 Adjustable Shelf

Notes:
Underlined Item Codes
Indicate Replacement
Parts.

Item Code	Dimensions	Weight
B09	9W x 34-1/2H x 24D	42 LB
B12	12W x 34-1/2H x 24D	45 LB
B15	15W x 34-1/2H x 24D	50 LB
B18	18W x 34-1/2H x 24D	53 LB
B21	21W x 34-1/2H x 24D	57 LB

Base Cabinet With 1 Drawer & 2 Doors



Features

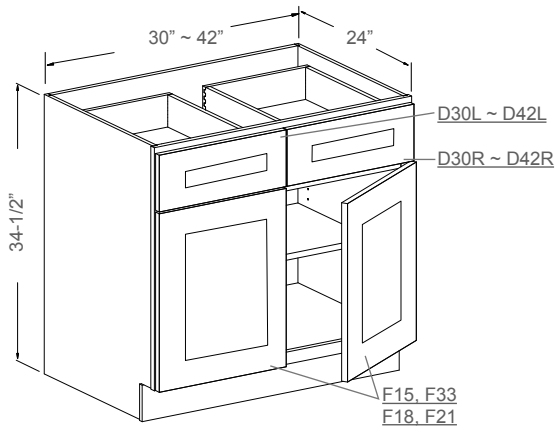
- 1 Drawer
- 2 Doors
- 1 Adjustable Shelf

Notes:
Underlined Item Codes
Indicate Replacement
Parts.

Item Code	Dimensions	Weight
B24	24W x 34-1/2H x 24D	63 LB
B27	27W x 34-1/2H x 24D	68 LB

PLEASE CALL FIRST All specifications are subject to change without notice. All images are for reference only. To ensure the highest satisfaction, we strongly recommend you view an actual sample for product style and construction.

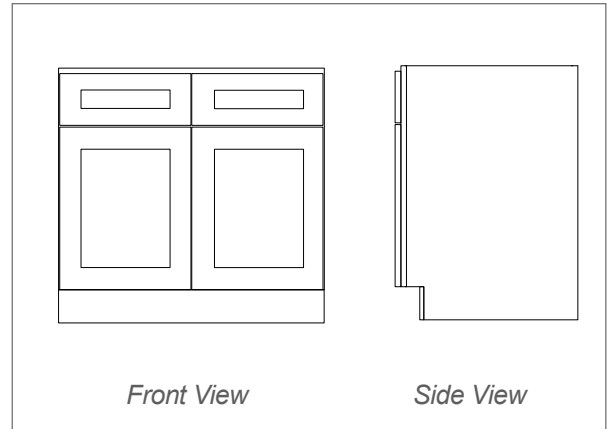
Base Cabinet With 2 Drawers & 2 Doors



Features

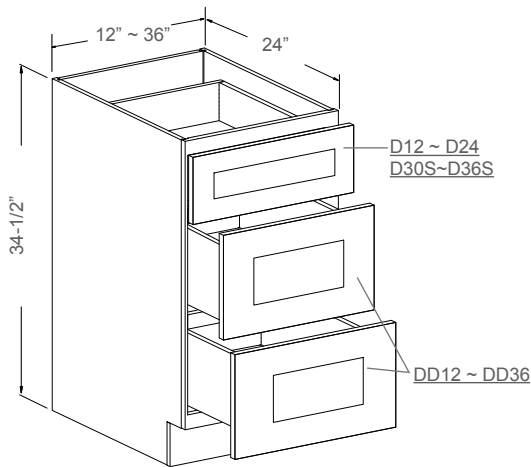
- 2 Drawers
- 2 Doors
- 1 Adjustable Shelf

*Notes:
Underlined Item Codes
Indicate Replacement
Parts.*



Item Code	Dimensions	Weight
B30	30W x 34-1/2H x 24D	81 LB
B33	33W x 34-1/2H x 24D	85 LB
B36	36W x 34-1/2H x 24D	89 LB
B42	42W x 34-1/2H x 24D	94 LB

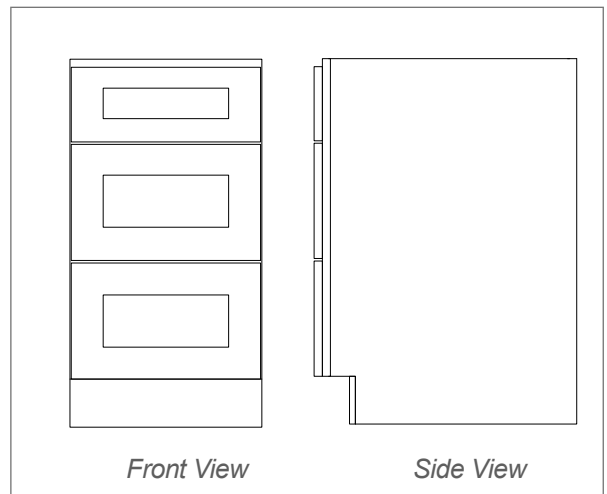
Drawer Base With 3 Drawers



Features

- 1 Small Drawer
- 2 Large Drawers

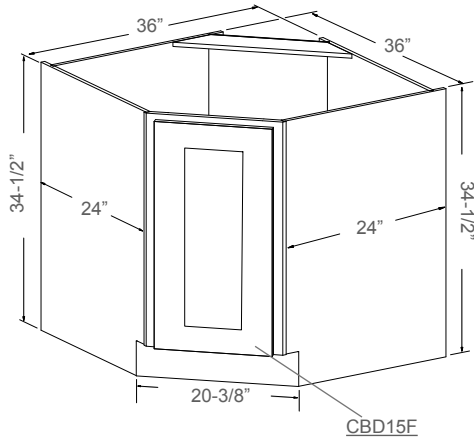
*Notes:
Underlined Item Codes
Indicate Replacement
Parts.*



Item Code	Dimensions	Weight
DB12-3	12W x 34-1/2H x 24D	68 LB
DB15-3	15W x 34-1/2H x 24D	76 LB
DB18-3	18W x 34-1/2H x 24D	81 LB
DB21-3	21W x 34-1/2H x 24D	86 LB
DB24-3	24W x 34-1/2H x 24D	93 LB
DB27-3	27W x 34-1/2H x 24D	96 LB
DB30-3	30W x 34-1/2H x 24D	103 LB
* DB33-3	33W x 34-1/2H x 24D	107 LB
DB36-3	36W x 34-1/2H x 24D	111 LB

PLEASE CALL FIRST Availability for a particular product style and color may vary depending on locations. Please check with your local J&K Cabinetry authorized wholesaler for current availability before planning your projects.

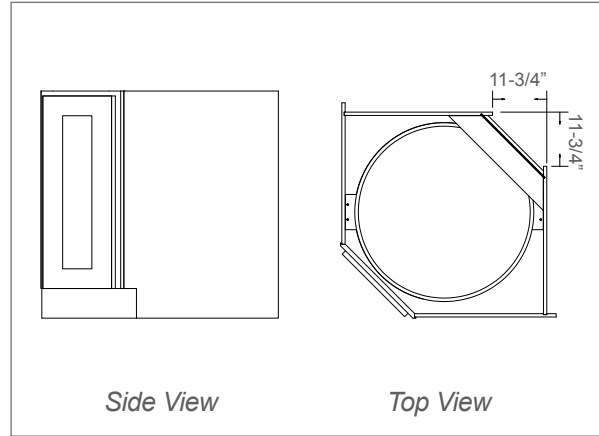
Base Diagonal Corner



Features

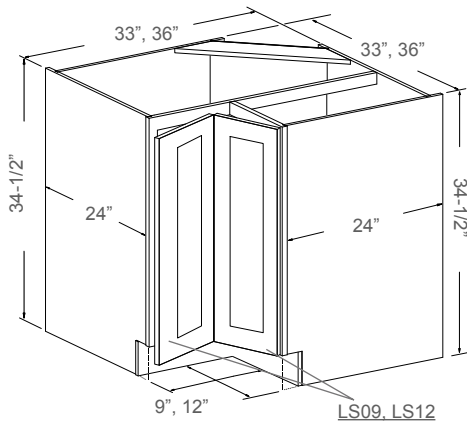
- 1 Full Door: 14-7/8"W x 29-1/4"H
- 2 Wooden Round Susans

Notes:
Underlined Item Codes
Indicate Replacement
Parts.



Item Code	Dimensions	Weight
CBD36	36W x 34-1/2H x 24D	81 LB

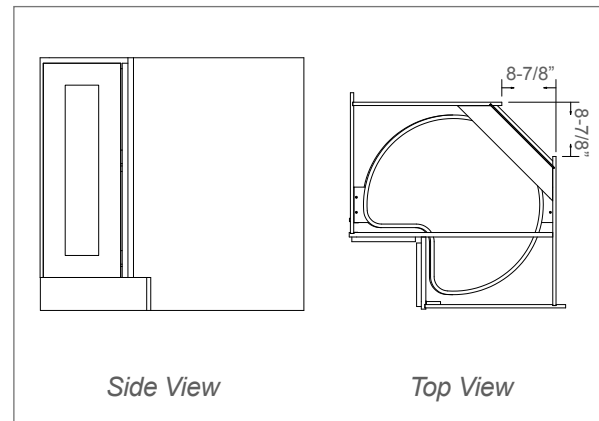
Lazy Susan



Features

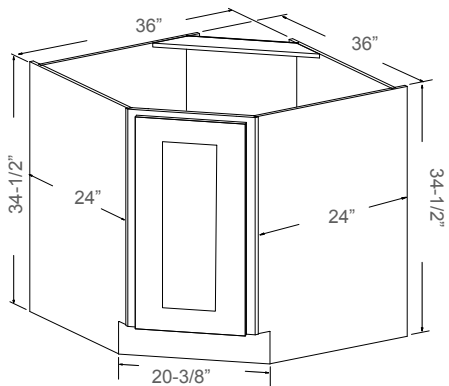
- 1 Bi-folding Door: 7-1/2"W, 10-1/2"W x 29-1/4"H
- 2 Wooden Kidney-Shaped Susans

Notes:
Underlined Item Codes
Indicate Replacement
Parts.



Item Code	Dimensions	Weight
LS3309	33W x 34-1/2H x 24D	77 LB
LS3612	36W x 34-1/2H x 24D	81 LB

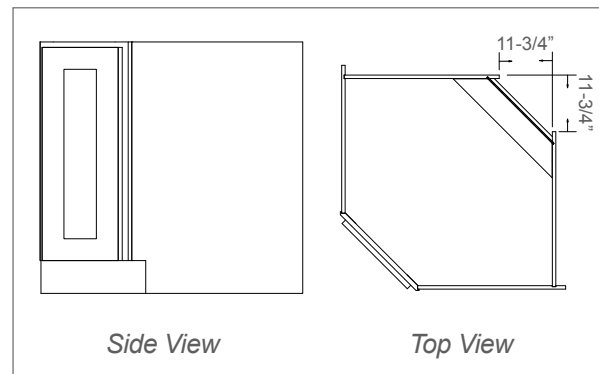
Base Diagonal Sink



Features

- 1 Full Door: 14-3/4"W x 29-1/4"H
- No Shelf

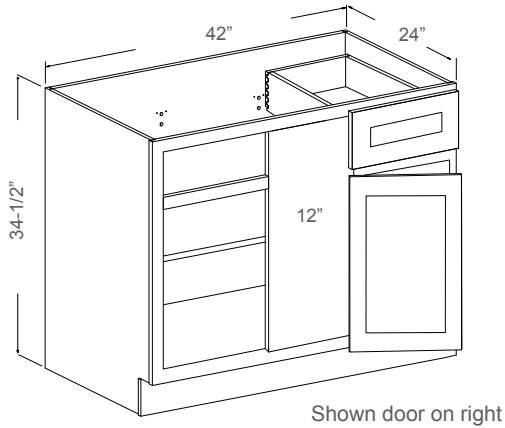
Notes: Back Panel NOT Open



Item Code	Dimensions	Weight
CSB36	36W x 34-1/2H x 24D	62 LB

PLEASE CALL FIRST All specifications are subject to change without notice. All images are for reference only. To ensure the highest satisfaction, we strongly recommend you view an actual sample for product style and construction.

Base Blind Corner (L/R)

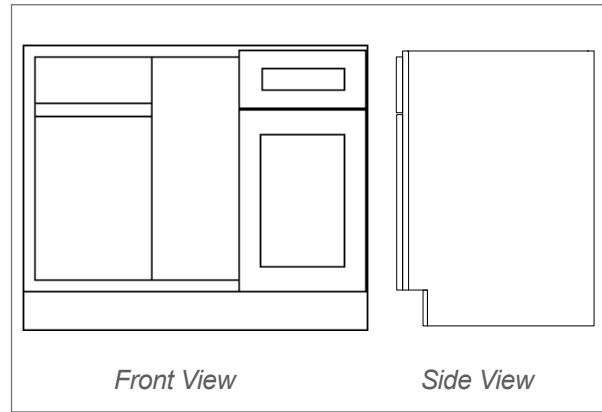


Shown door on right

Features

- 1 Drawer on Left or Right
- 1 Door on Left or Right
- 1 Adjustable Shelf

Notes: Minimum 3" Pull From The Wall When Install



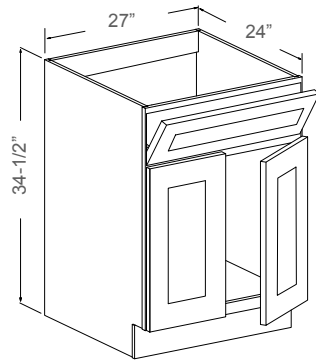
Front View

Side View

Item Code	Dimensions	Weight
BBC42L/R	42W x 34-1/2H x 24D	78 LB

Notes: 18"W In BBC42L/R.

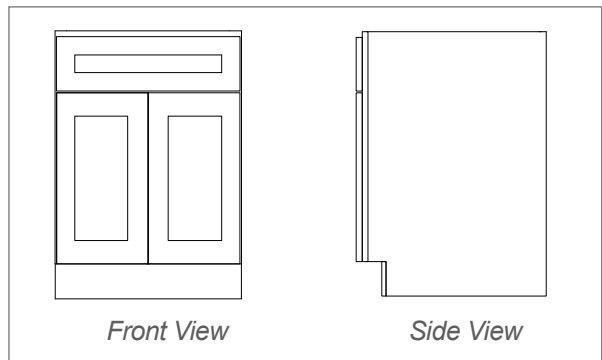
Sink Base With 2 Doors



Features

- 1 Tilt-Out Drawer With Tray
- 2 Doors
- No Shelf

Notes: Back Panel Open

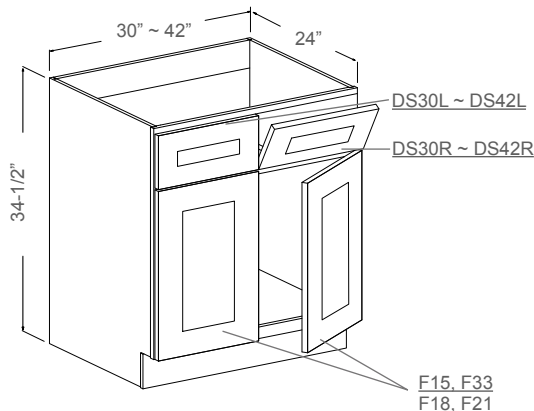


Front View

Side View

Item Code	Dimensions	Weight
* SB27	27W x 34-1/2H x 24D	48 LB

Sink Base With 2 Door

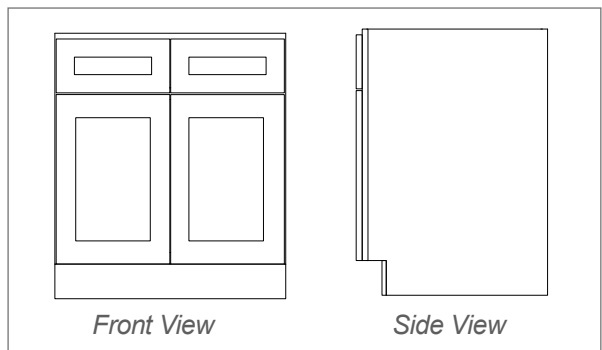


Features

- 2 Tilt-Out Drawers With Trays
- 2 Doors
- No Shelf

Notes: Back Panel Open

Notes:
Underlined Item Codes
Indicate Replacement
Parts.



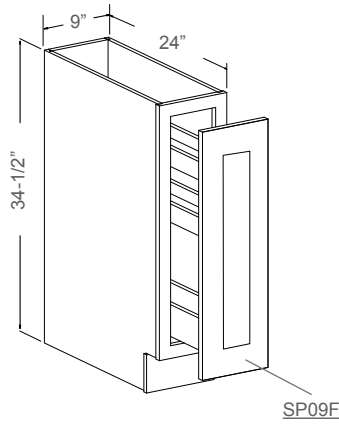
Front View

Side View

Item Code	Dimensions	Weight
SB30	30W x 34-1/2H x 24D	49 LB
SB33	33W x 34-1/2H x 24D	50 LB
SB36	36W x 34-1/2H x 24D	54 LB
SB42	42W x 34-1/2H x 24D	59 LB

PLEASE CALL FIRST Availability for a particular product style and color may vary depending on locations. Please check with your local J&K Cabinetry authorized wholesaler for current availability before planning your projects.

Spice Pull-Out Base Cabinet

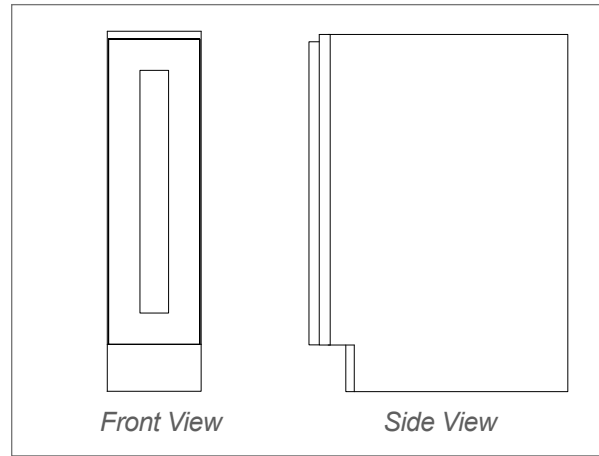


Features

- 1 Door: 8-3/4"W x 29-1/4"H
- 3 Fixed Pull-Out Shelves

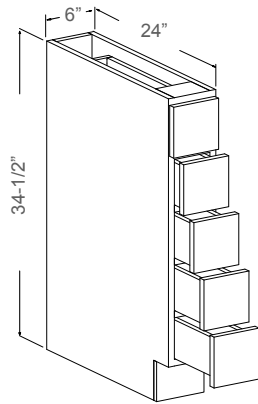
Notes: Under-Mount Glide

Notes:
Underlined Item Codes
 Indicate Replacement
 Parts.



Item Code	Dimensions	Weight
SP09	9W x 34-1/2H x 24D	42 LB

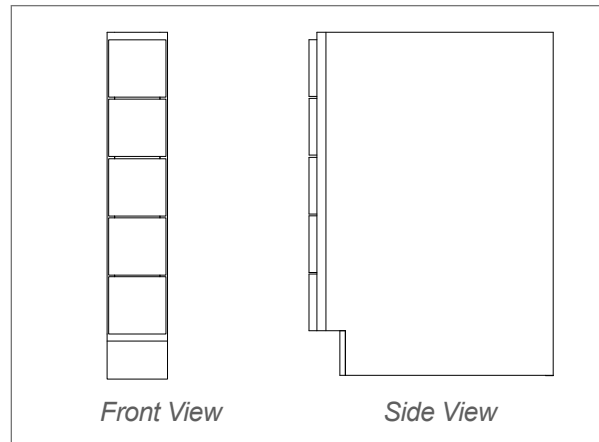
Spice Drawer Base Cabinet



Features

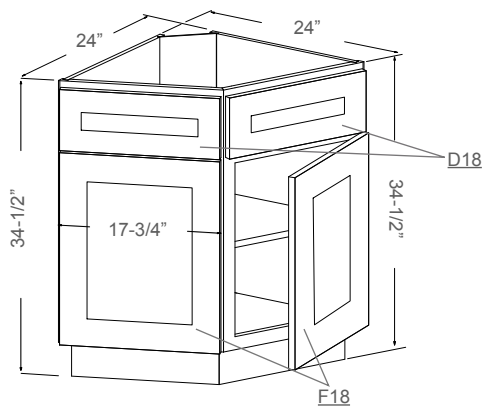
- 5 Square Drawers: 5-3/4"W x 5-1/2"H (Each)

Notes: No Glides



Item Code	Dimensions	Weight
BWRC6	6W x 34-1/2H x 24D	56 LB

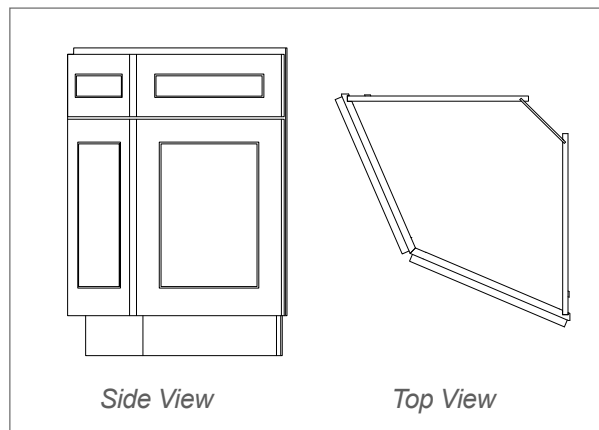
Base End Corner



Features

- 2 Dummy Drawers
- 2 Doors
- 1 Adjustable Shelf

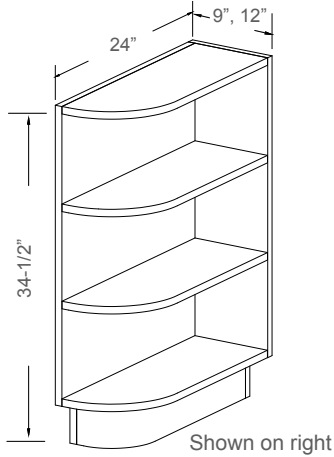
Notes:
Underlined Item Codes
 Indicate Replacement
 Parts.



Item Code	Dimensions	Weight
BEC24	24W x 34-1/2H x 24D	48 LB

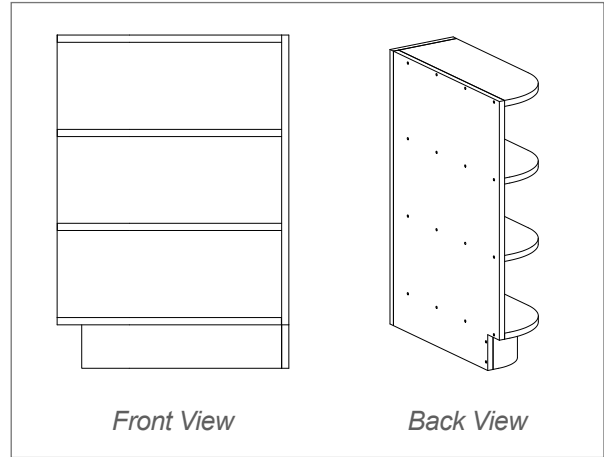
PLEASE CALL FIRST All specifications are subject to change without notice. All images are for reference only. To ensure the highest satisfaction, we strongly recommend you view an actual sample for product style and construction.

Base End Shelf (L/R)



Features

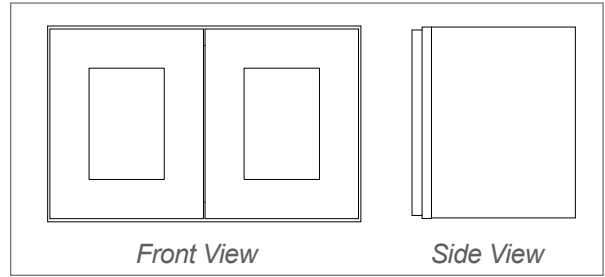
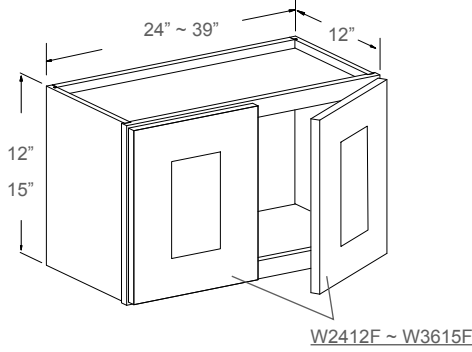
- 3 Fixed Shelves
- Matching Color Finish



Item Code	Dimensions	Weight
BES09L/R	9W x 34-1/2H x 24D	34 LB
* BES12L/R	12W x 34-1/2H x 24D	43 LB

PLEASE CALL FIRST Availability for a particular product style and color may vary depending on locations. Please check with your local J&K Cabinetry authorized wholesaler for current availability before planning your projects.

Wall Cabinet - 12"H & 15"H



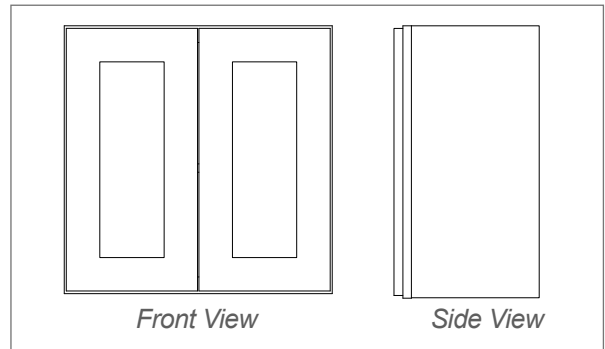
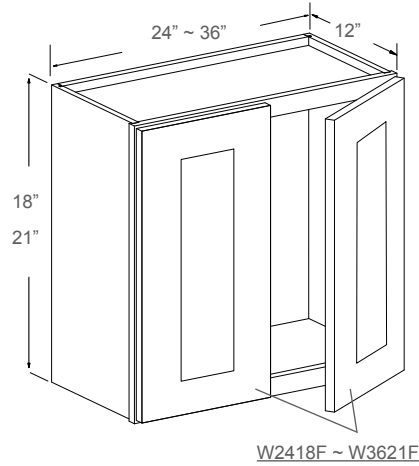
Features

- 2 Doors
- No Shelf

*Notes:
Underlined Item Codes
Indicate Replacement
Parts.*

Item Code	Dimensions	Weight
* W2412	24W x 12H x 12D	18 LB
W3012	30W x 12H x 12D	20 LB
* W3312	33W x 12H x 12D	22 LB
W3612	36W x 12H x 12D	23 LB
* W3912	39W x 12H x 12D	24 LB
W3015	30W x 15H x 12D	22 LB
* W3315	33W x 15H x 12D	25 LB
W3615	36W x 15H x 12D	27 LB

Wall Cabinet - 18"H & 21"H



Features

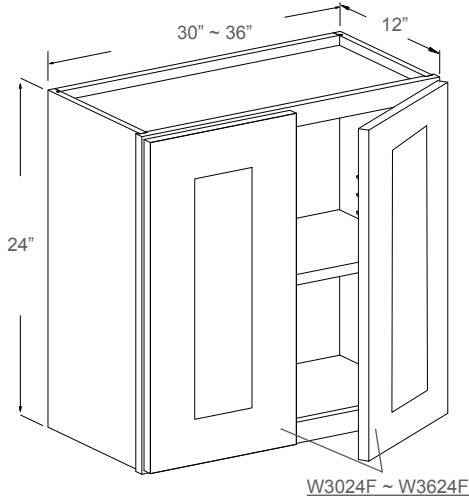
- 2 Doors
- No Shelf

*Notes:
Underlined Item Codes
Indicate Replacement
Parts.*

Item Code	Dimensions	Weight
* W2418	24W x 18H x 12D	23 LB
W3018	30W x 18H x 12D	26 LB
* W3318	33W x 18H x 12D	28 LB
W3618	36W x 18H x 12D	30 LB
W3021	30W x 21H x 12D	29 LB
* W3321	33W x 21H x 12D	31 LB
W3621	36W x 21H x 12D	36 LB

PLEASE CALL FIRST All specifications are subject to change without notice. All images are for reference only. To ensure the highest satisfaction, we strongly recommend you view an actual sample for product style and construction.

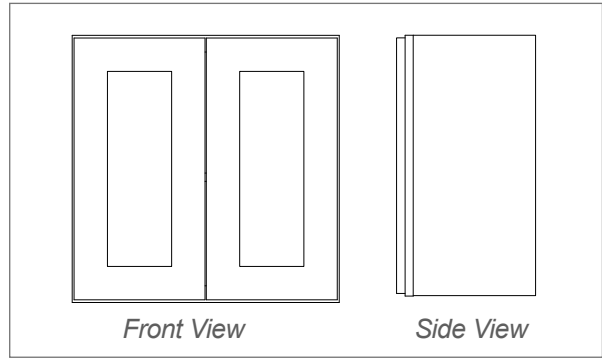
Wall Cabinet - 24"H



Features

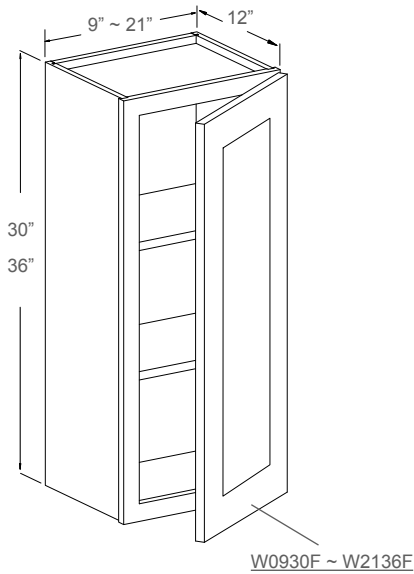
- 2 Doors
- 1 Adjustable Shelf

Notes:
Underlined Item Codes
Indicate Replacement
Parts.



Item Code	Dimensions	Weight
W3024	30W x 24H x 12D	36 LB
<u>W3324</u>	33W x 24H x 12D	40 LB
<u>W3624</u>	36W x 24H x 12D	41 LB

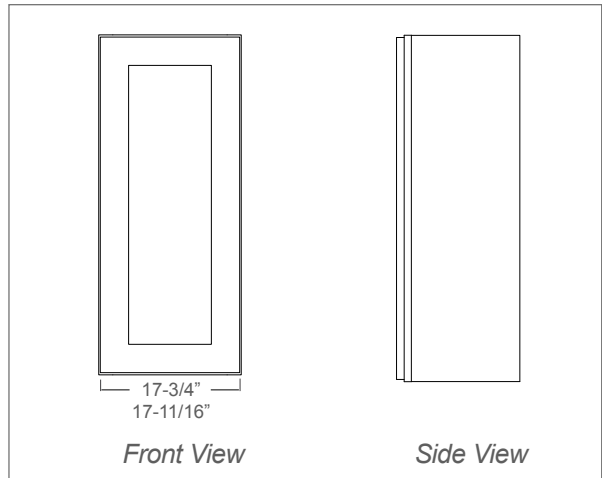
Wall Cabinet - 30"H & 36"H



Features

- 1 Door
- 2 Adjustable Shelves

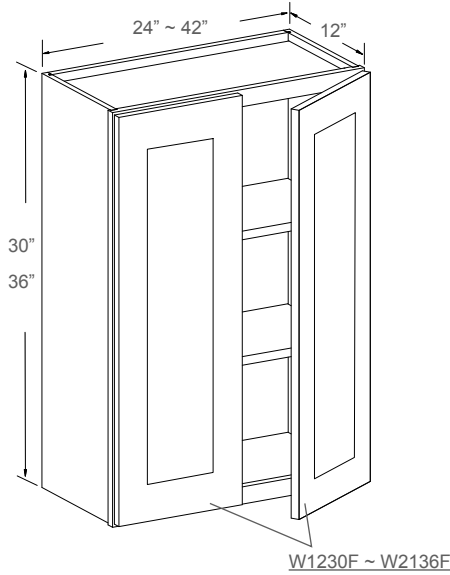
Notes:
Underlined Item Codes
Indicate Replacement
Parts.



Item Code	Dimensions	Weight
W0930	9W x 30H x 12D	20 LB
W1230	12W x 30H x 12D	23 LB
W1530	15W x 30H x 12D	27 LB
W1830	18W x 30H x 12D	30 LB
W2130	21W x 30H x 12D	32 LB
<u>W0936</u>	9W x 36H x 12D	23 LB
<u>W1236</u>	12W x 36H x 12D	27 LB
<u>W1536</u>	15W x 36H x 12D	29 LB
<u>W1836</u>	18W x 36H x 12D	34 LB
<u>W2136</u>	21W x 36H x 12D	38 LB

PLEASE CALL FIRST Availability for a particular product style and color may vary depending on locations. Please check with your local J&K Cabinetry authorized wholesaler for current availability before planning your projects.

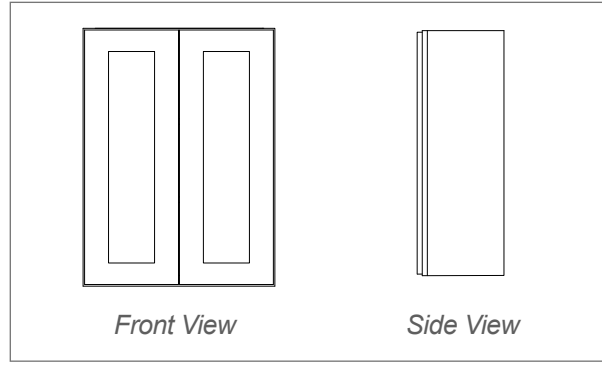
Wall Cabinet - 30"H & 36"H



Features

- 2 Doors
- 2 Adjustable Shelves

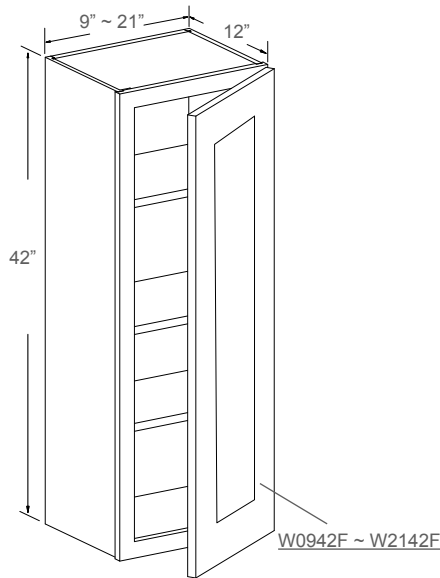
*Notes:
Underlined Item Codes
Indicate Replacement
Parts.*



Item Code	Dimensions	Weight
<u>W2430</u>	24W x 30H x 12D	38 LB
<u>W2730</u>	27W x 30H x 12D	42 LB
<u>W3030</u>	30W x 30H x 12D	46 LB
<u>W3330</u>	33W x 30H x 12D	50 LB
<u>W3630</u>	36W x 30H x 12D	52 LB
* <u>W4230</u>	42W x 30H x 12D	59 LB

<u>W2436</u>	24W x 36H x 12D	43 LB
<u>W2736</u>	27W x 36H x 12D	45 LB
<u>W3036</u>	30W x 36H x 12D	51 LB
<u>W3336</u>	33W x 36H x 12D	55 LB
<u>W3636</u>	36W x 36H x 12D	59 LB
* <u>W4236</u>	42W x 36H x 12D	66 LB

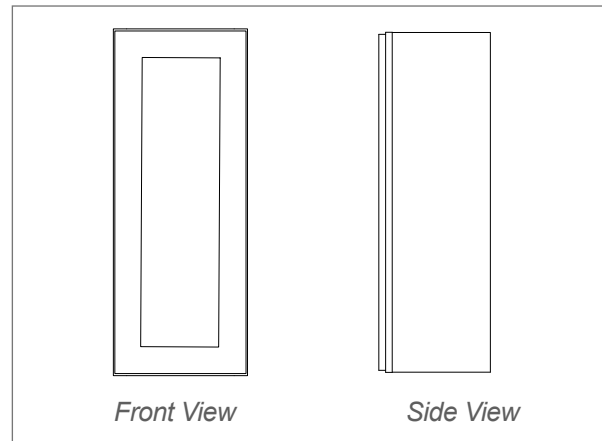
Wall Cabinet - 42"H



Features

- 1 Door
- 3 Adjustable Shelves

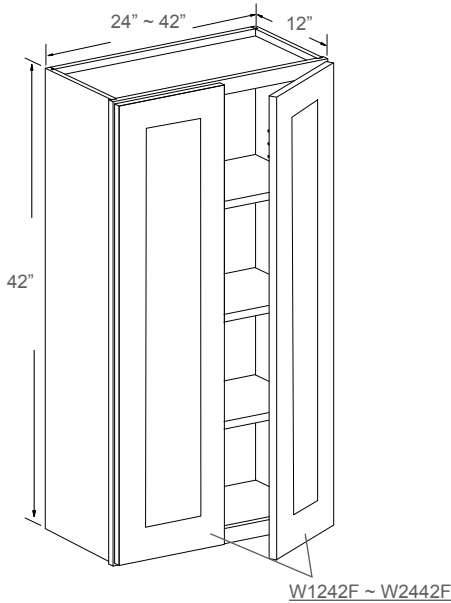
*Notes:
Underlined Item Codes
Indicate Replacement
Parts.*



Item Code	Dimensions	Weight
<u>W0942</u>	9W x 42H x 12D	27 LB
<u>W1242</u>	12W x 42H x 12D	31 LB
<u>W1542</u>	15W x 42H x 12D	34 LB
<u>W1842</u>	18W x 42H x 12D	40 LB
<u>W2142</u>	21W x 42H x 12D	43 LB

PLEASE CALL FIRST All specifications are subject to change without notice. All images are for reference only. To ensure the highest satisfaction, we strongly recommend you view an actual sample for product style and construction.

Wall Cabinet - 42"H

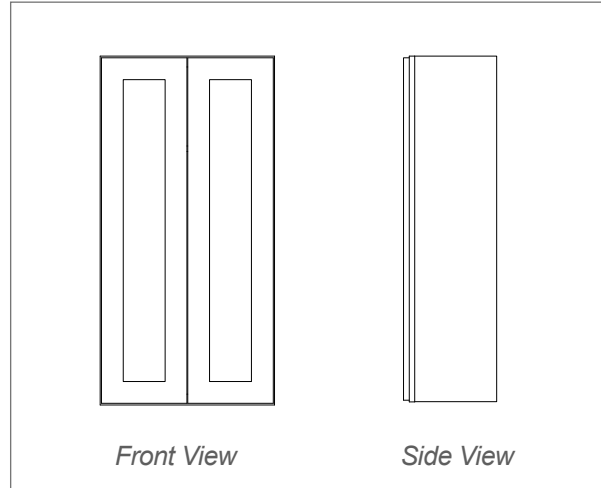


W1242F ~ W2442F

Features

- 2 Doors
- 3 Adjustable Shelves

Notes:
Underlined Item Codes
Indicate Replacement
Parts.

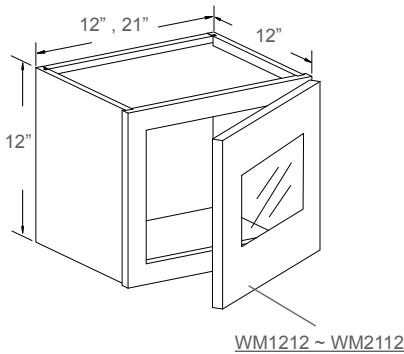


Front View

Side View

Item Code	Dimensions	Weight
W2442	24W x 42H x 12D	49 LB
W2742	27W x 42H x 12D	55 LB
W3042	30W x 42H x 12D	60 LB
W3342	33W x 42H x 12D	63 LB
W3642	36W x 42H x 12D	69 LB
* W4242	42W x 42H x 12D	78 LB

Wall Cabinet Glass Insert Door - 12"H



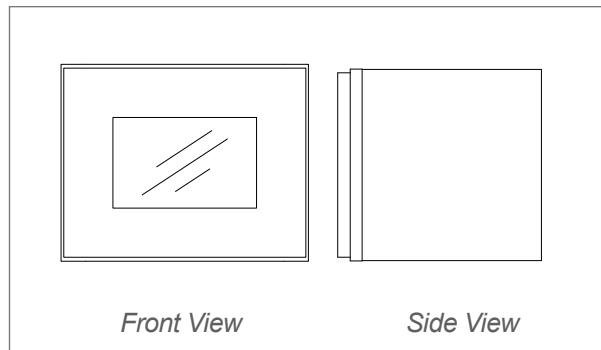
WM1212 ~ WM2112

Features

- 1 Door
- No Shelf
- Matching Color Interior

Notes: Glass Insert Not Included

Notes:
Underlined Item Codes
Indicate Replacement
Parts.



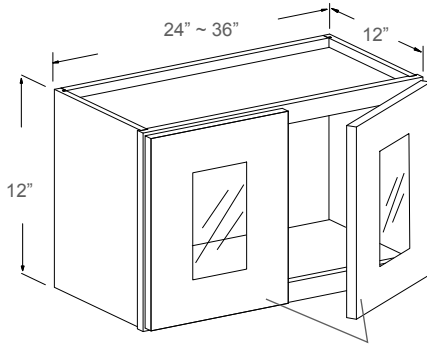
Front View

Side View

Item Code	Dimensions	Weight
* WM1212H	12W x 12H x 12D	10 LB
* WM2112H	21W x 12H x 12D	15 LB

PLEASE CALL FIRST Availability for a particular product style and color may vary depending on locations. Please check with your local J&K Cabinetry authorized wholesaler for current availability before planning your projects.

Wall Cabinet Glass Insert Door - 12"H



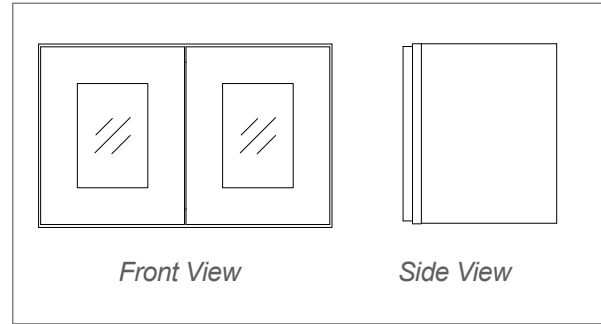
WM1212 ~ WM3312

Features

- 2 Doors
- No Shelf
- Matching Color Interior

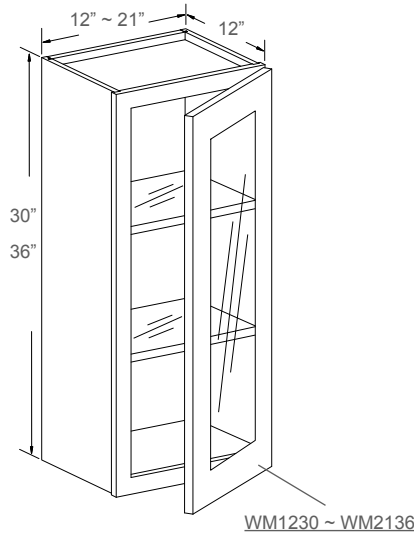
*Notes:
Underlined Item Codes
Indicate Replacement
Parts.*

Notes: Glass Inserts NOT Included



Item Code	Dimensions	Weight
* WM2412H	24W x 12H x 12D	17 LB
* WM2712H	27W x 12H x 12D	19 LB
* WM3012H	30W x 12H x 12D	21 LB
* WM3312H	33W x 12H x 12D	21 LB
* WM3612H	36W x 12H x 12D	25 LB

Wall Cabinet Glass Insert Door - 30"H & 36"H



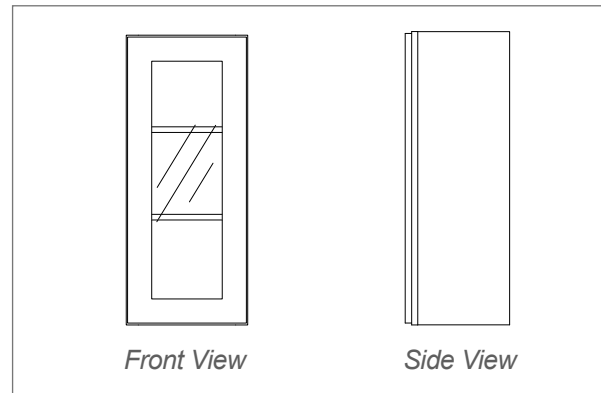
WM1230 ~ WM2136

Features

- 1 Door
- 2 Adjustable Glass Shelves
- Matching Color Interior

*Notes:
Underlined Item Codes
Indicate Replacement
Parts.*

Notes: Glass Shelves And Glass Insert NOT Included

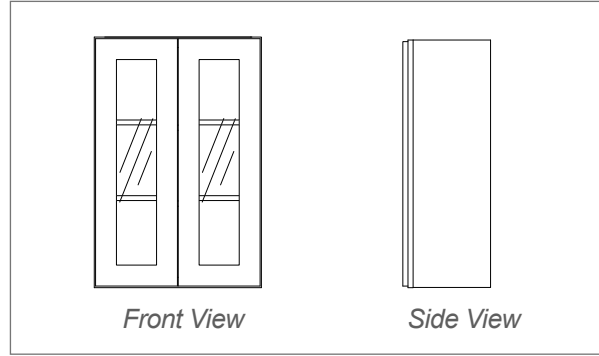
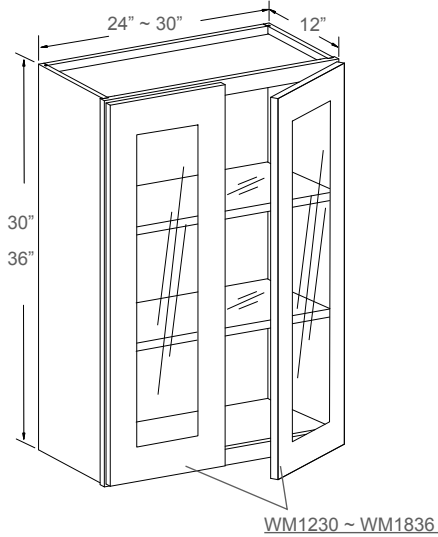


Item Code	Dimensions	Weight
* WM1230H	12W x 30H x 12D	18 LB
WM1530H	15W x 30H x 12D	20 LB
WM1830H	18W x 30H x 12D	22 LB
* WM2130H	21W x 30H x 12D	25 LB
* WM1236H	12W x 36H x 12D	21 LB
WM1536H	15W x 36H x 12D	23 LB
WM1836H	18W x 36H x 12D	25 LB
* WM2136H	21W x 36H x 12D	28 LB

WALL CABINETS

PLEASE CALL FIRST All specifications are subject to change without notice. All images are for reference only. To ensure the highest satisfaction, we strongly recommend you view an actual sample for product style and construction.

Wall Cabinet Glass Insert Door - 30"H & 36"H



Features

- 2 Doors
- 2 Adjustable Glass Shelves
- Matching Color Interior

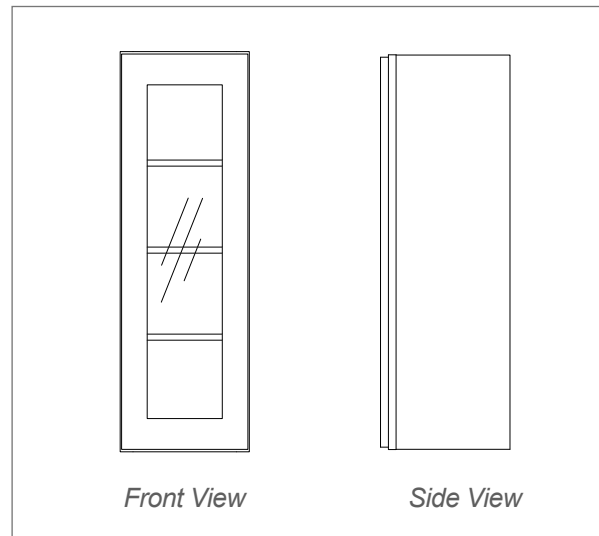
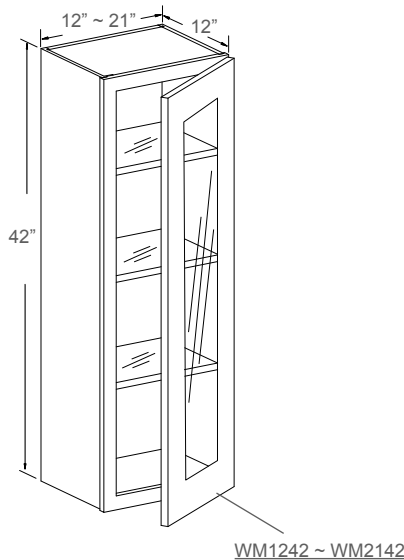
Notes:
Underlined Item Codes
Indicate Replacement
Parts.

Notes: Glass Shelves And Glass Inserts NOT Included

Item Code	Dimensions	Weight
WM2430H	24W x 30H x 12D	28 LB
* WM2730H	27W x 30H x 12D	30 LB
WM3030H	30W x 30H x 12D	32 LB

WM2436H	24W x 36H x 12D	33 LB
* WM2736H	27W x 36H x 12D	34 LB
WM3036H	30W x 36H x 12D	36 LB

Wall Cabinet Glass Insert Door - 42"H



Features

- 1 Door
- 3 Adjustable Glass Shelves
- Matching Color Interior

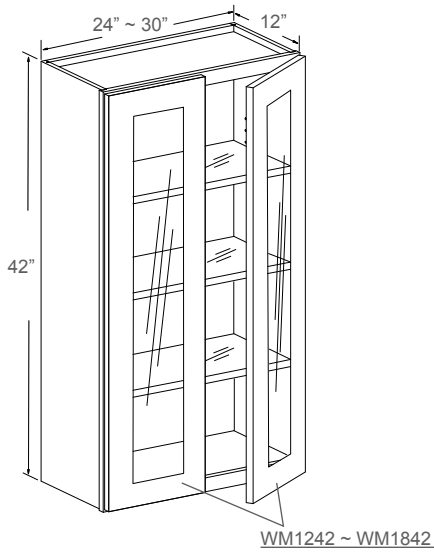
Notes:
Underlined Item Codes
Indicate Replacement
Parts.

Notes: Glass Shelves And Glass Insert NOT Included

Item Code	Dimensions	Weight
* WM1242H	12W x 42H x 12D	25 LB
WM1542H	15W x 42H x 12D	27 LB
WM1842H	18W x 42H x 12D	28 LB
* WM2142H	21W x 42H x 12D	32 LB

PLEASE CALL FIRST Availability for a particular product style and color may vary depending on locations. Please check with your local J&K Cabinetry authorized wholesaler for current availability before planning your projects.

Wall Cabinet Glass Insert Door - 42" H



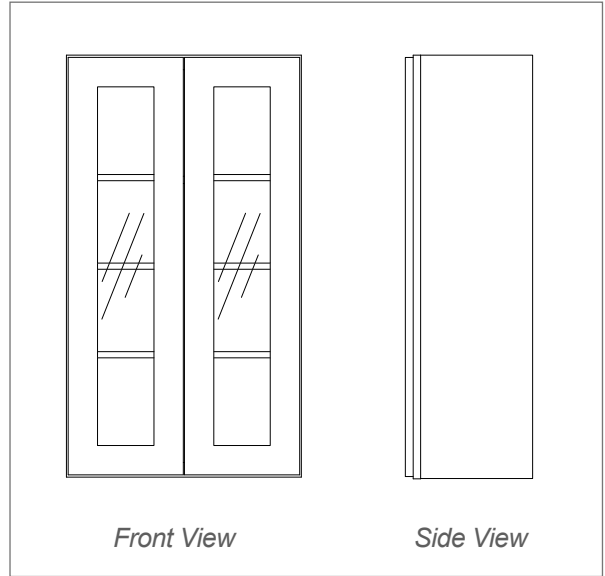
WM1242 ~ WM1842

Features

- 2 Doors
- 3 Adjustable Glass Shelves
- Matching Color Interior

*Notes:
Underlined Item Codes
Indicate Replacement
Parts.*

Notes: Glass Shelves And Glass Inserts NOT Included

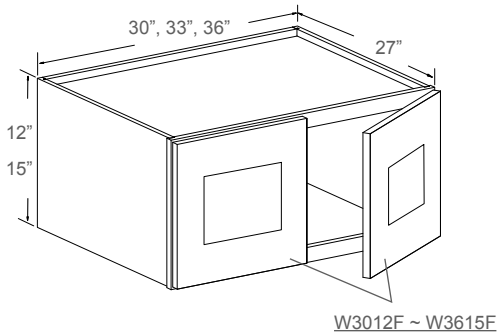


Front View

Side View

Item Code	Dimensions	Weight
<u>WM2442H</u>	24W x 42H x 12D	38 LB
* <u>WM2742H</u>	27W x 42H x 12D	40 LB
<u>WM3042H</u>	30W x 42H x 12D	42 LB

Refrigerator Wall Cabinet - 12" H & 15" H

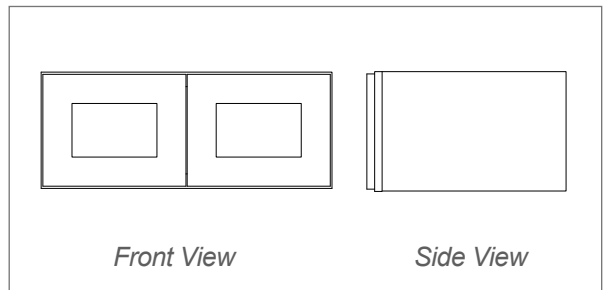


W3012F ~ W3615F

Features

- 2 Doors
- No Shelf

*Notes:
Underlined Item Codes
Indicate Replacement
Parts.*



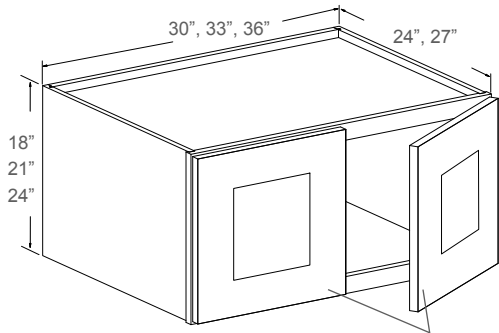
Front View

Side View

Item Code	Dimensions	Weight
* <u>W301227</u>	30W x 12H x 27D	35 LB
* <u>W331227</u>	33W x 12H x 27D	38 LB
<u>W361227</u>	36W x 12H x 27D	40 LB
* <u>W301527</u>	30W x 15H x 27D	38 LB
* <u>W331527</u>	33W x 15H x 27D	40 LB
<u>W361527</u>	36W x 15H x 27D	45 LB

PLEASE CALL FIRST All specifications are subject to change without notice. All images are for reference only. To ensure the highest satisfaction, we strongly recommend you view an actual sample for product style and construction.

Refrigerator Wall Cabinet - 18" / 21" / 24"H



W3018F ~ W3624F

Features

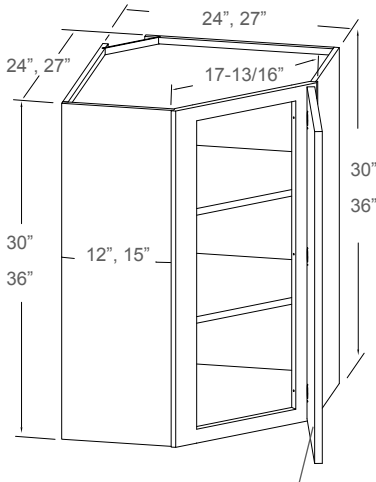
- 2 Doors
- No Shelf

Notes:
Underlined Item Codes
Indicate Replacement
Parts.

Notes: 1 Adjustable Shelf In 24"H Cabinets.

Item Code	Dimensions	Weight
* W301827	30W x 18H x 27D	41 LB
* W331827	33W x 18H x 27D	42 LB
W361827	36W x 18H x 27D	46 LB
* W302127	30W x 21H x 27D	46 LB
* W332127	33W x 21H x 27D	49 LB
W362127	36W x 21H x 27D	51 LB
* W302427	30W x 24H x 27D	57 LB
W332427	33W x 24H x 27D	59 LB
W362427	36W x 24H x 27D	61 LB

Wall Diagonal Corner - 30"H & 36"H

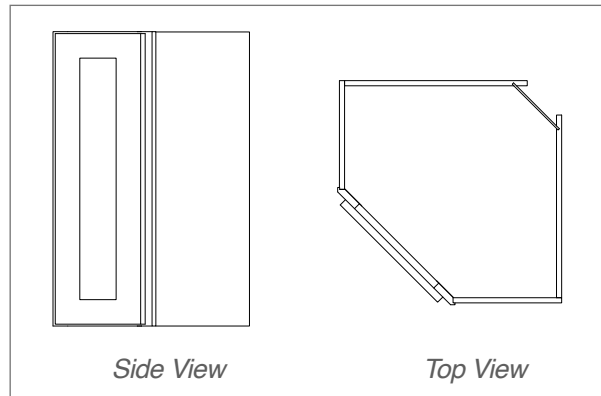


W1530F, W1536F

Features

- 1 Door
- 2 Adjustable Shelves

Notes:
Underlined Item Codes
Indicate Replacement
Parts.

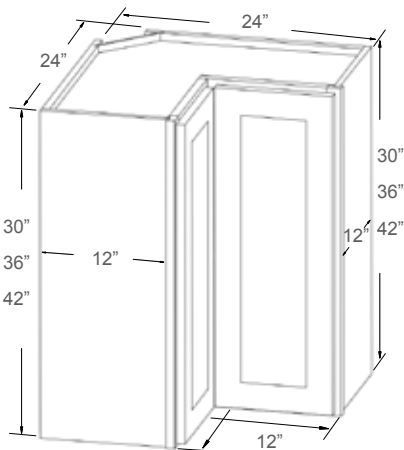


Side View

Top View

Item Code	Dimensions	Weight
WDC2430	24W x 30H x 12D	55 LB
WDC2436	24W x 36H x 12D	61 LB
WDC273615	27W x 36H x 15D	74 LB

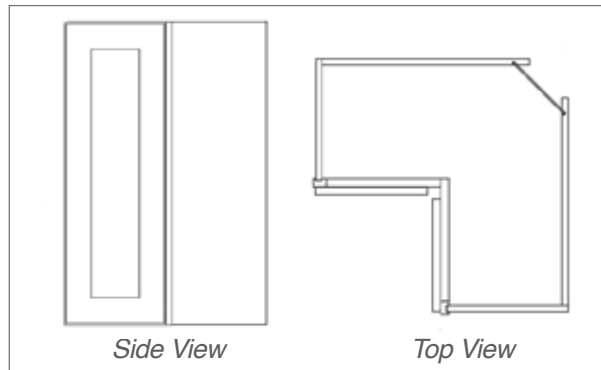
Wall Easy Reach Cabinet - 30" / 36" / 42"H



Features

- 2 Doors

Notes:
Underlined Item Codes
Indicate Replacement
Parts.



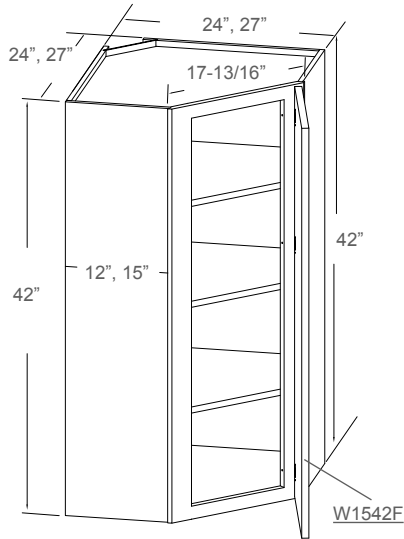
Side View

Top View

Item Code	Dimensions	Weight
* WER2430	24W x 30H x 24D	52 LB
* WER2436	24W x 36H x 24D	60 LB
* WER2442	24W x 42H x 24D	71 LB

PLEASE CALL FIRST Availability for a particular product style and color may vary depending on locations. Please check with your local J&K Cabinetry authorized wholesaler for current availability before planning your projects.

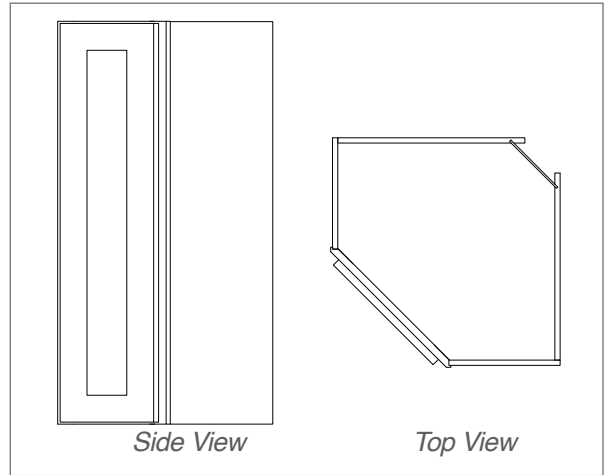
Wall Diagonal Corner - 42"H



Features

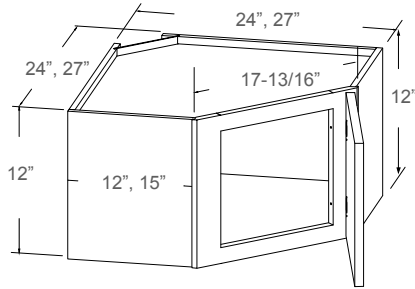
- 1 Door
- 3 Adjustable Shelves

Notes:
Underlined Item Codes Indicate Replacement Parts.



Item Code	Dimensions	Weight
WDC2442	24W x 42H x 12D	72 LB
WDC274215	27W x 42H x 15D	87 LB

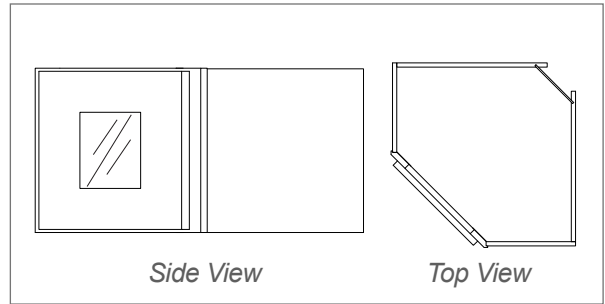
Wall Diagonal Corner Glass Insert Door - 12"H



Features

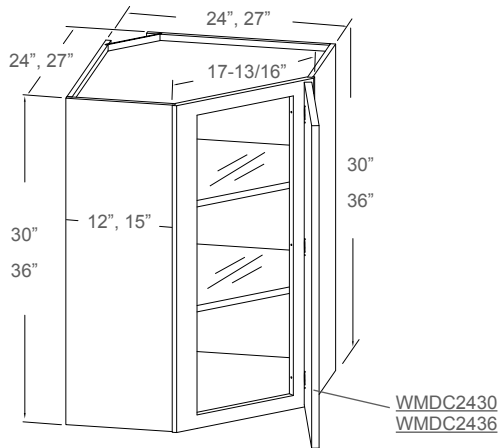
- 1 Door
- No Shelf
- Matching Color Interior

Notes: Glass Insert NOT Included



Item Code	Dimensions	Weight
* WMDC2412H	24W x 12H x 12D	25 LB
* WMDC271215H	27W x 12H x 15D	29 LB

Wall Diagonal Corner

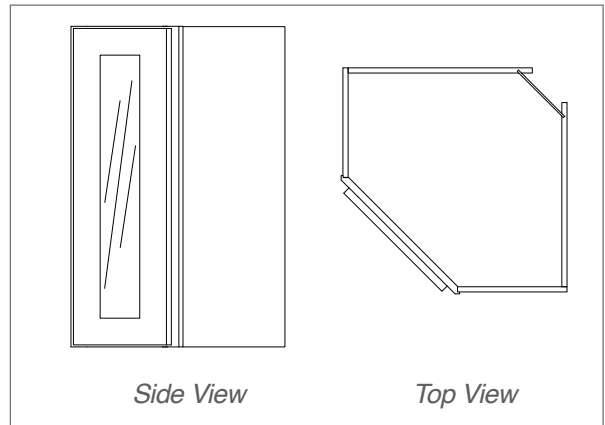


Features

- 1 Door
- 2 Adjustable Glass Shelves
- Matching Color Interior

Notes: Glass Shelves And Glass Insert NOT Included

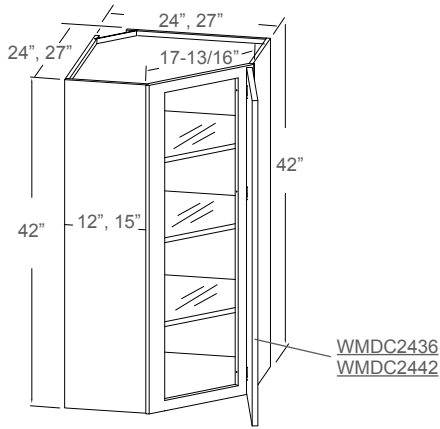
Notes:
Underlined Item Codes Indicate Replacement Parts.



Item Code	Dimensions	Weight
WMDC2430H	24W x 30H x 12D	39 LB
WMDC2436H	24W x 36H x 12D	46 LB
WMDC273615H	27W x 36H x 15D	54 LB

PLEASE CALL FIRST All specifications are subject to change without notice. All images are for reference only. To ensure the highest satisfaction, we strongly recommend you view an actual sample for product style and construction.

Wall Diagonal Corner Glass Insert Door - 42"H

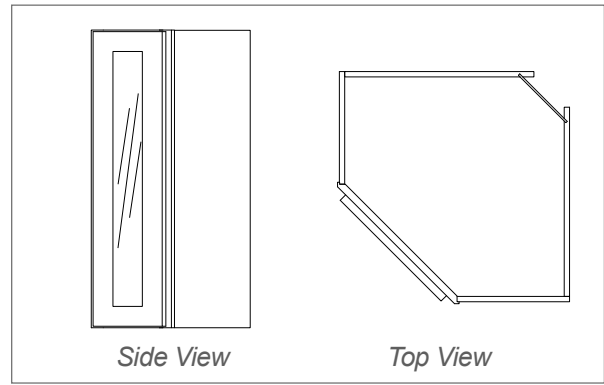


Features

- 1 Door
- 3 Adjustable Glass Shelves
- Matching Color Interior

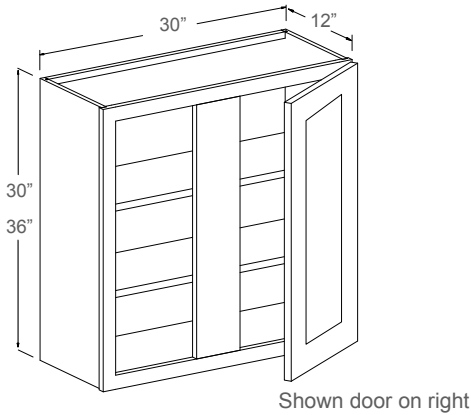
*Notes:
Underlined Item Codes
Indicate Replacement
Parts.*

Notes: Glass Shelves And Glass Insert NOT Included



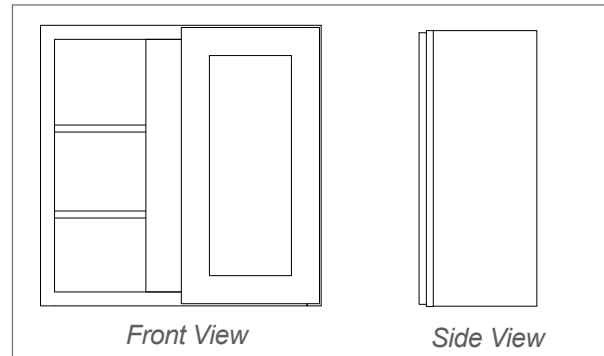
Item Code	Dimensions	Weight
WMDC2442H	24W x 42H x 12D	50 LB
WMDC274215H	27W x 42H x 15D	63 LB

Wall Blind Corner (L/R) - 30"H & 36"H



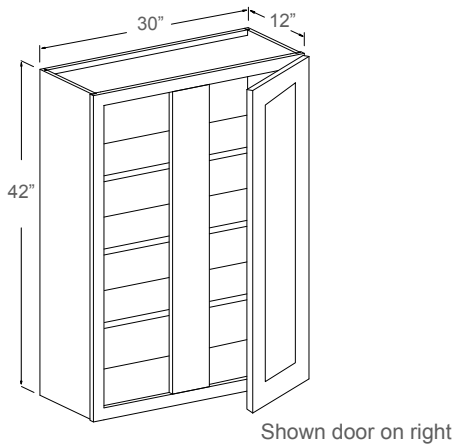
Features

- 1 Door on Left or Right
- 2 Adjustable Shelves



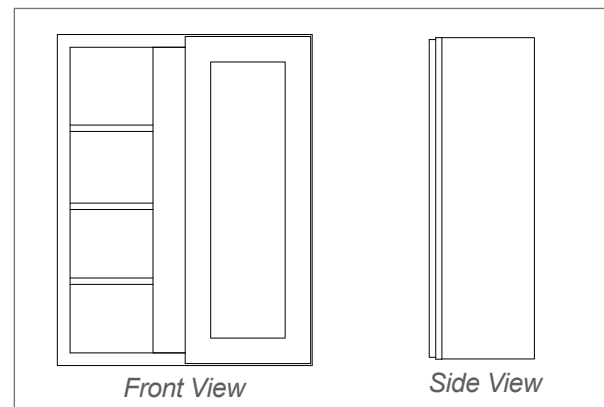
Item Code	Dimensions	Weight
* WCC3030	30W x 30H x 12D	41 LB
* WCC3036	30W x 36H x 12D	47 LB

Wall Blind Corner (L/R) - 42"H



Features

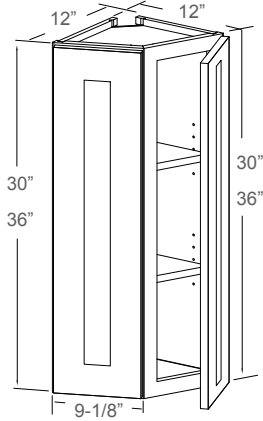
- 1 Door on Left or Right
- 3 Adjustable Shelves



Item Code	Dimensions	Weight
* WCC3042	30W x 42H x 12D	54 LB

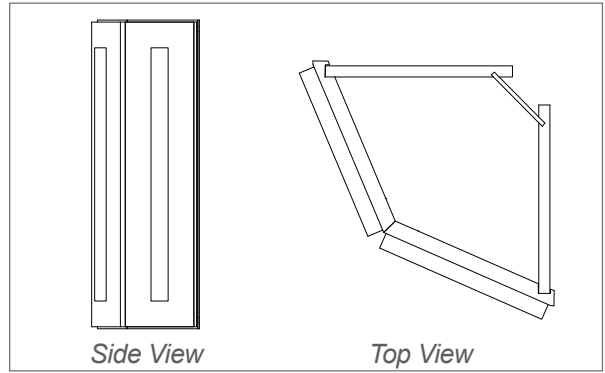
PLEASE CALL FIRST Availability for a particular product style and color may vary depending on locations. Please check with your local J&K Cabinetry authorized wholesaler for current availability before planning your projects.

Wall End Corner - 30"H & 36"H



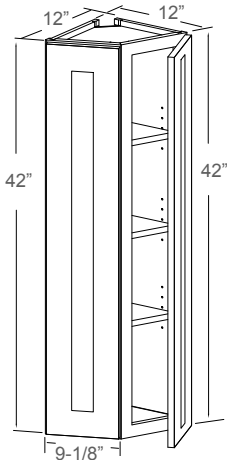
Features

- 2 Doors
- 2 Adjustable Shelves



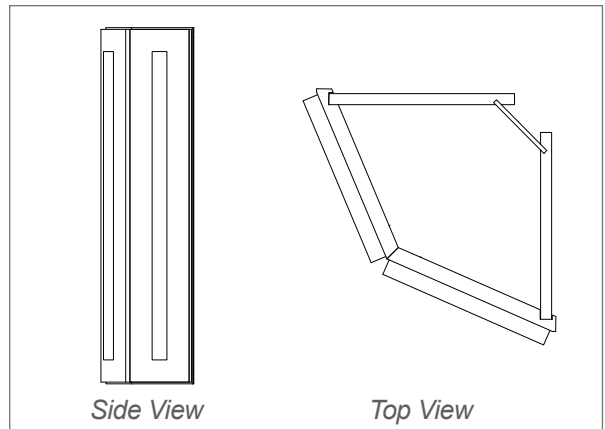
Item Code	Dimensions	Weight
WEC1230	12W x 30H x 12D	23 LB
WEC1236	12W x 36H x 12D	27 LB

Wall End Corner - 42"H



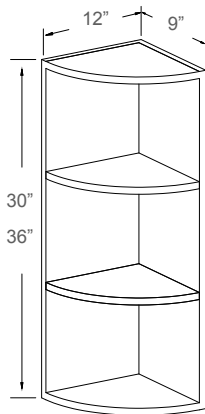
Features

- 2 Doors
- 3 Adjustable Shelves



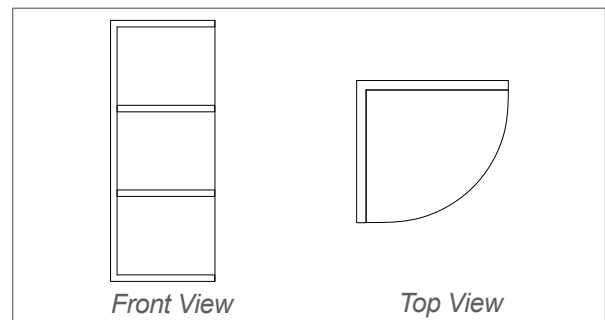
Item Code	Dimensions	Weight
WEC1242	12W x 42H x 12D	30 LB

Wall End Shelf - 30"H & 36"H



Features

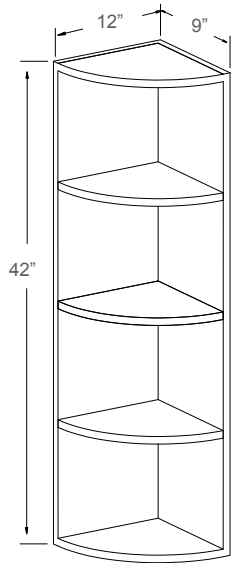
- 3 Fixed Shelves
- Matching Color Finish



Item Code	Dimensions	Weight
WES0930L/R	9W x 30H x 12D	16 LB
WES0936L/R	9W x 36H x 12D	17 LB

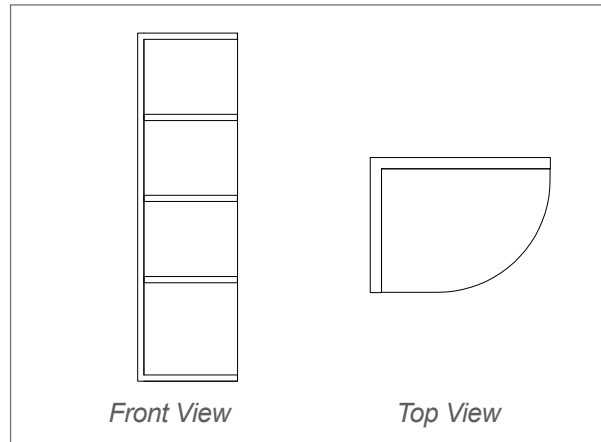
PLEASE CALL FIRST All specifications are subject to change without notice. All images are for reference only. To ensure the highest satisfaction, we strongly recommend you view an actual sample for product style and construction.

Wall End Shelf - 42" H



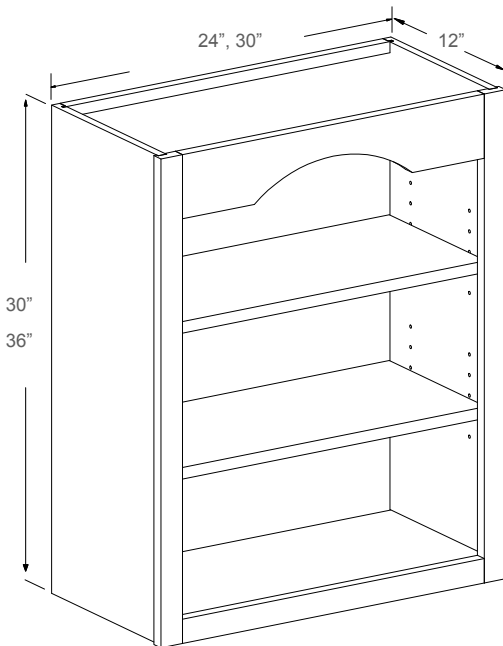
Features

- 4 Fixed Shelves
- Matching Color Finish



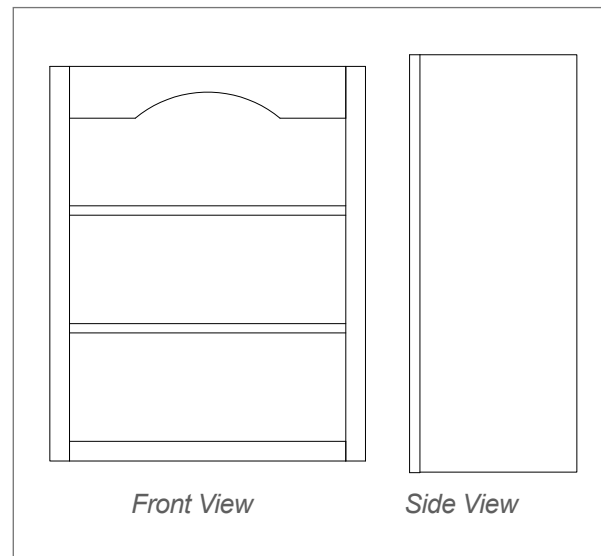
Item Code	Dimensions	Weight
WES0942L/R	9W x 42H x 12D	21 LB

Wall Open Shelf - 30" H & 36" H



Features

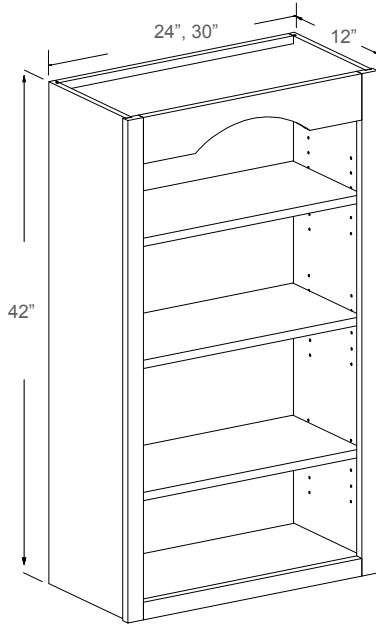
- 2 Adjustable Shelves
- Matching Color Finish



Item Code	Dimensions	Weight
* WOS2430	24W x 30H x 12D	28 LB
* WOS3030	30W x 30H x 12D	30 LB
* WOS2436	24W x 36H x 12D	33 LB
* WOS3036	30W x 36H x 12D	38 LB

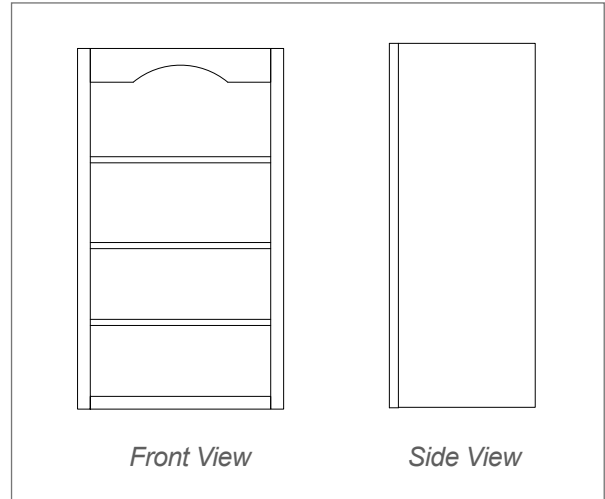
PLEASE CALL FIRST Availability for a particular product style and color may vary depending on locations. Please check with your local J&K Cabinetry authorized wholesaler for current availability before planning your projects.

Wall Open Shelf - 42"H



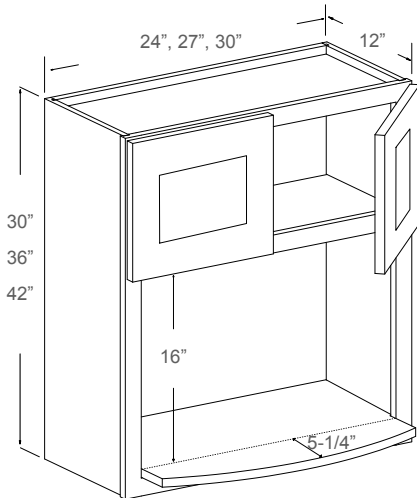
Features

- 3 Adjustable Shelves
- Matching Color Finish



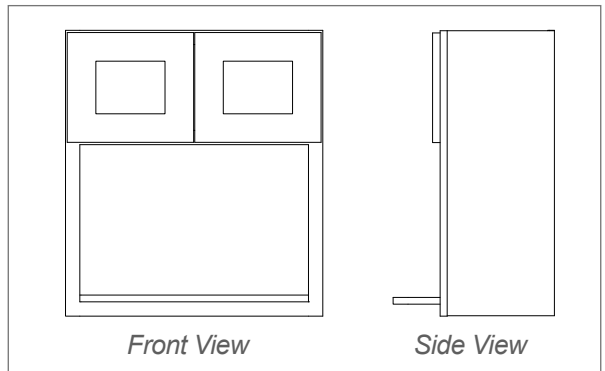
Item Code	Dimensions	Weight
* WOS2442	24W x 42H x 12D	38 LB
* WOS3042	30W x 42H x 12D	46 LB

Microwave - 30"/36"/42"H



Features

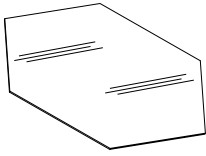
- 2 Doors
- No Shelf
- 1 Open Shelf with 16"H (Shelf overhang 5-1/4")
- Matching Color Finish



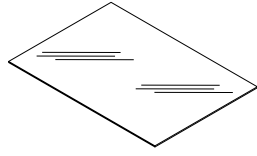
Item Code	Dimensions	Weight
* WBL2430	24W x 30H x 12D	28 LB
WBL2730	27W x 30H x 12D	36 LB
* WBL3030	30W x 30H x 12D	42 LB
* WBL2436	24W x 36H x 12D	33 LB
WBL2736	27W x 36H x 12D	42 LB
* WBL3036	30W x 36H x 12D	46 LB
* WBL2442	24W x 42H x 12D	39 LB
WBL2742	27W x 42H x 12D	47 LB
* WBL3042	30W x 42H x 12D	51 LB

PLEASE CALL FIRST All specifications are subject to change without notice. All images are for reference only. To ensure the highest satisfaction, we strongly recommend you view an actual sample for product style and construction.

Glass Shelf - Tempered



Shown GSDC##



Shown GS##

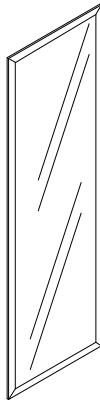
Features

- Use On WM#####H Cab.

Notes: Caution When Shipping.

Item Code	Weight
GS12	3 LB
GS15	4 LB
GS18	5 LB
* GS21	6 LB
GS24	7 LB
GS27	8 LB
GS30	8 LB
GSDC24	15 LB
GSDC27	19 LB

Glass Insert - Tempered - Grid Pattern



02
Beveled Edge

Style	Beveled Edge
Size Code	A02/K02

Features

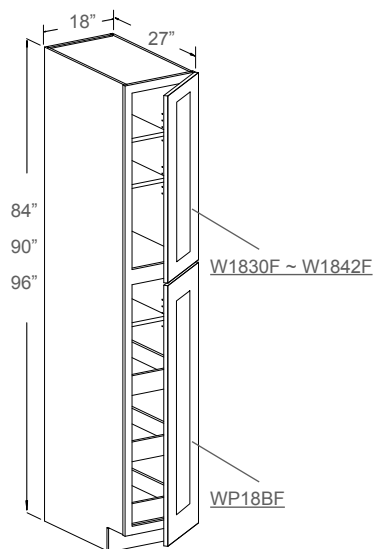
- Use On WM#####H
- WM24##H ~ WM36##H Cab:
Need Two Glass Inserts.

Notes: Caution When Shipping.

Item Code	Weight
* WM1212G-A02/ K02	1 LB
* WM1230G-A02/ K02	3 LB
* WM1236G-A02/ K02	4 LB
* WM1242G-A02/ K02	4 LB
* WM1512G-A02/ K02	1 LB
* WM1530G-A02/ K02	4 LB
* WM1536G-A02/ K02	5 LB
* WM1542G-A02/ K02	6 LB
* WM1812G-A02/ K02	2 LB
* WM1830G-A02/ K02	6 LB
* WM1836G-A02/ K02	7 LB
* WM1842G-A02/ K02	8 LB
* WM2112G-A02/ K02	2 LB
* WM2130G-A02/ K02	7 LB
* WM2136G-A02/ K02	9 LB
* WM2142G-A02/ K02	10 LB
* WM2712G-A02	
* WM2730G-A02/ K02	4 LB
* WM2736G-A02/ K02	5 LB
* WM2742G-A02/ K02	5 LB
* WM3312G-A02	2 LB

PLEASE CALL FIRST Availability for a particular product style and color may vary depending on locations. Please check with your local J&K Cabinetry authorized wholesaler for current availability before planning your projects.

Pantry Cabinet - 84"/90"/96"H

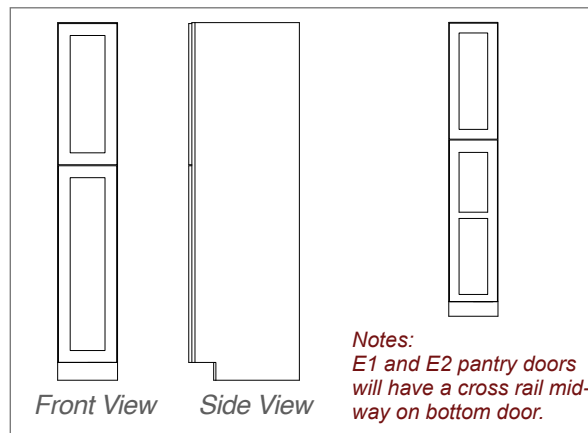


Features

- 2 Doors
- 2 Adjustable Top Shelves
- 1 Adjustable Middle Shelf
- 3 Bottom Roll-Out Trays

Notes:
Underlined Item Codes
Indicate Replacement
Parts.

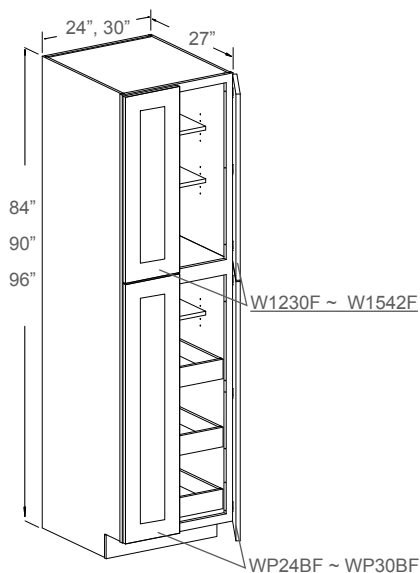
Notes: 3 Adjustable Top Shelves In 96"H Cabinet.



Notes:
E1 and E2 pantry doors
will have a cross rail mid-
way on bottom door.

Item Code	Dimensions	Weight
<u>WP188427</u>	18W x 84H x 27D	154 LB
<u>WP189027</u>	18W x 90H x 27D	160 LB
<u>WP189627</u>	18W x 96H x 27D	165 LB

Pantry Cabinet - 84"/90"/96"H

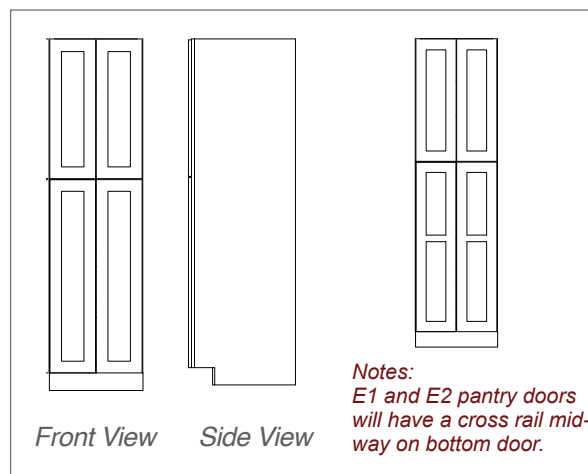


Features

- 4 Doors
- 2 Adjustable Top Shelves
- 1 Adjustable Middle Shelf
- 3 Bottom Roll-Out Trays

Notes:
Underlined Item Codes
Indicate Replacement
Parts.

Notes:
3 Adjustable Top Shelves In 96"H Cabinet.



Notes:
E1 and E2 pantry doors
will have a cross rail mid-
way on bottom door.

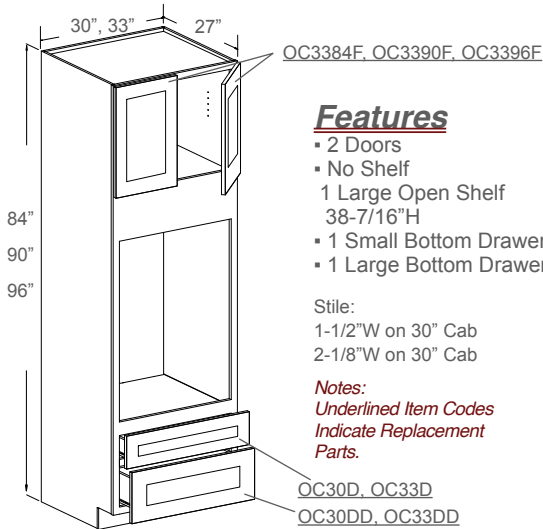
Item Code	Dimensions	Weight
<u>WP248427</u>	24W x 84H x 27D	176 LB
<u>WP308427</u>	30W x 84H x 27D	196 LB
<u>WP249027</u>	24W x 90H x 27D	184 LB
<u>WP309027</u>	30W x 90H x 27D	211 LB
<u>WP249627</u>	24W x 96H x 27D	190 LB
<u>WP309627</u>	30W x 96H x 27D	225 LB

PLEASE CALL FIRST All specifications are subject to change without notice. All images are for reference only. To ensure the highest satisfaction, we strongly recommend you view an actual sample for product style and construction.

Pantry & Oven Cabinets



Tall Oven Cabinet - 84"/90"/96"H



Features

- 2 Doors
- No Shelf
- 1 Large Open Shelf
38-7/16"H
- 1 Small Bottom Drawer
- 1 Large Bottom Drawer

Stile:
1-1/2"W on 30" Cab
2-1/8"W on 30" Cab

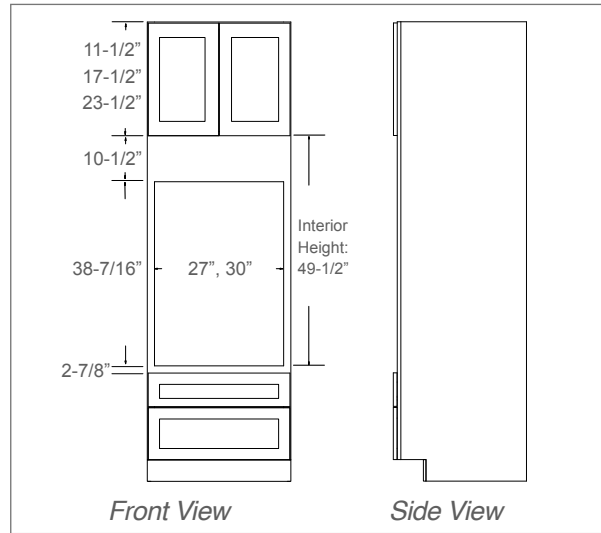
Notes:
Underlined Item Codes
Indicate Replacement
Parts.

OC30D, OC33D
OC30DD, OC33DD

Notes:
Trim or Add to Fit Oven.
1 Adjustable Top Shelf In 96"H Cabinet

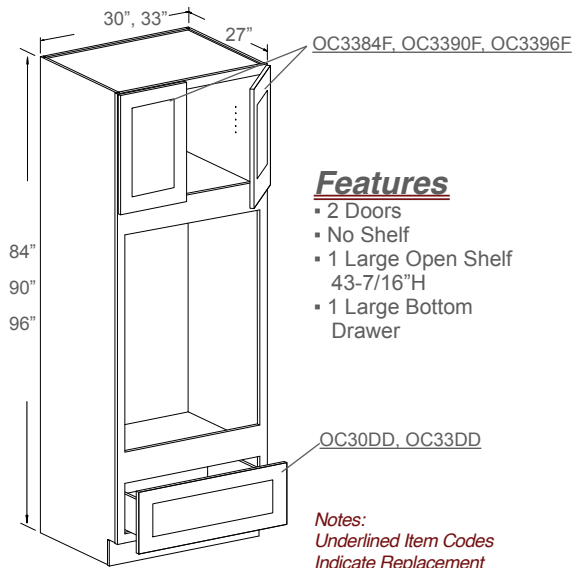
Opening Shelf Dimension	
30" Cab	27"W X 38-7/16"H
33" Cab	30"W X 38-7/16"H

Door Style	Drawer Upper	Drawer Lower
K3	6"H	11-3/8"H
S-series, H9 B-series	7"H	10-7/8"H
E-series	7"H	10-3/4"H



Item Code	Dimensions	Weight
* OC308427	30W x 84H x 27D	160 LB
* OC338427	33W x 84H x 27D	170 LB
OC309027	30W x 90H x 27D	170 LB
OC339027	33W x 90H x 27D	182 LB
OC309627	30W x 96H x 27D	182 LB
OC339627	33W x 96H x 27D	192 LB

Tall Oven Cabinet - 84"/90"/96"H



Features

- 2 Doors
- No Shelf
- 1 Large Open Shelf
43-7/16"H
- 1 Large Bottom Drawer

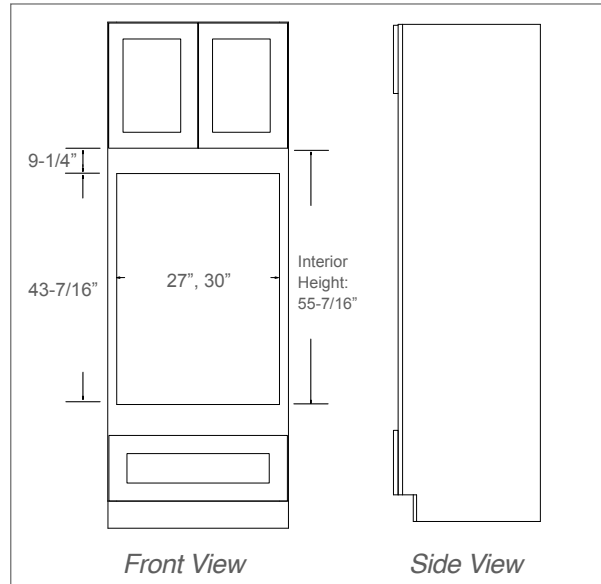
Notes:
Underlined Item Codes
Indicate Replacement
Parts.

OC30DD, OC33DD

Notes:
Trim or Add to Fit Oven.
1 Adjustable Top Shelf In 96"H Cabinet

Opening Shelf Dimension	
30" Cab	27"W X 43-7/16"H
33" Cab	30"W X 43-7/16"H

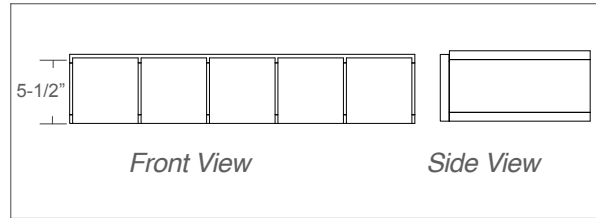
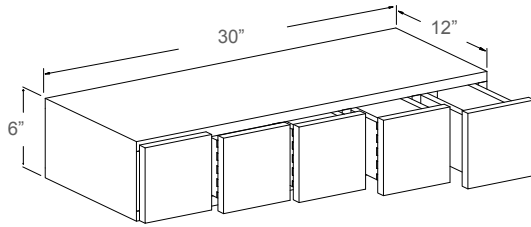
Door Style	Drawer Upper	Drawer Lower
K3	6"H	11-3/8"H
S-series, H9 B-series	7"H	10-7/8"H
E-series	7"H	10-3/4"H



Item Code	Dimensions	Weight
OC308427WO	30W x 84H x 27D	132 LB
* OC338427WO	33W x 84H x 27D	142 LB
OC309027WO	30W x 90H x 27D	145 LB
OC339027WO	33W x 90H x 27D	155 LB
OC309627WO	30W x 96H x 27D	158 LB
OC339627WO	33W x 96H x 27D	169 LB

PLEASE CALL FIRST Availability for a particular product style and color may vary depending on locations.
Please check with your local J&K Cabinetry authorized wholesaler for current availability before planning your projects.

Wall Spice Drawer Cabinet



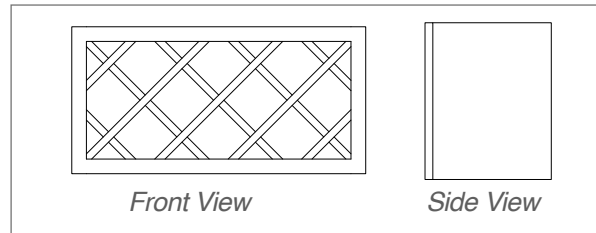
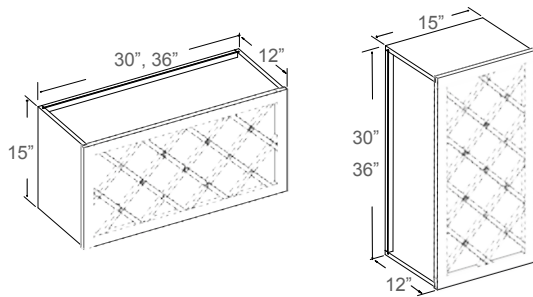
Features

- 5 Square Drawers: 5-3/4"W x 5-1/2"H (Each)

Notes: No Glides.

Item Code	Dimensions	Weight
WWRC6	30W x 6H x 12D	33 LB

Wine Rack

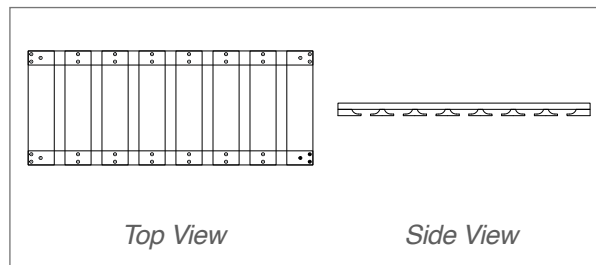
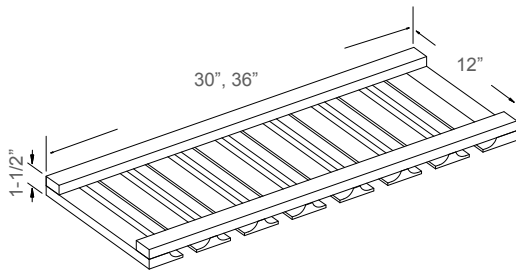


Features

- 10 Compartments in 30"W
- 14 Compartments in 36"W
- Matching Color Finish

Item Code	Dimensions	Weight
30WR	30W x 15H x 12D	22 LB
36WR	36W x 15H x 12D	25 LB

Glass Rack



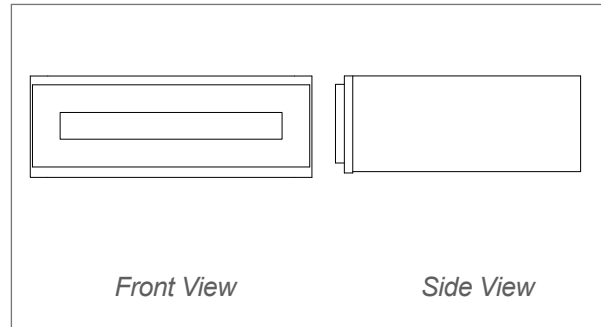
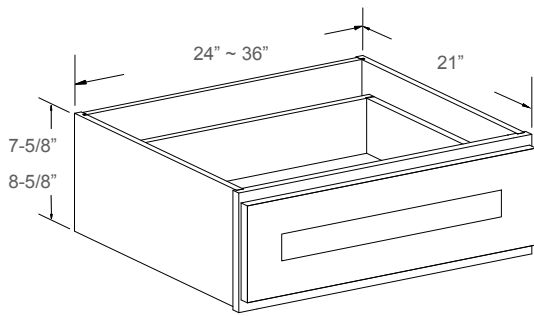
Features

- 7 Rail Openings in 30"W
- 9 Rail Openings in 36"W
- Matching Color Finish

Item Code	Dimensions	Weight
30GR	30W x 1-1/2H x 12D	4 LB
36GR	36W x 1-1/2H x 12D	4 LB

PLEASE CALL FIRST All specifications are subject to change without notice. All images are for reference only. To ensure the highest satisfaction, we strongly recommend you view an actual sample for product style and construction.

Knee Drawer



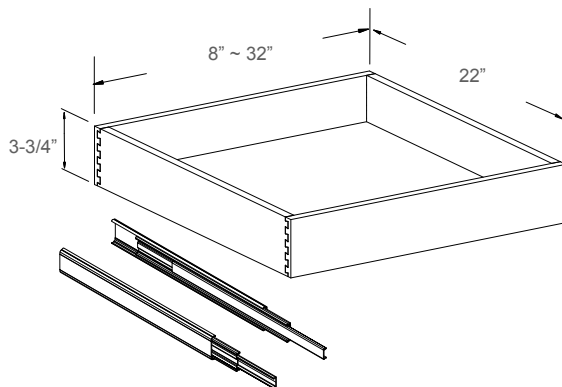
Features

- 1 Drawer

Door Style	Drawer Upper	Drawer Lower
K3	6"H	11-3/8"H
S-series, H9 B-series	7"H	10-7/8"H
E-series	7"H	10-3/4"H

Item Code	Dimensions	Weight
FD24	24W x 21D	26 LB
FD27	27W x 21D	29 LB
FD30	30W x 21D	32 LB
* FD36	36W x 21D	36 LB

Roll-Out Tray



Item Code	Dimensions	Weight
* RD12	8W x 3-3/4H x 22D	8 LB
RD15	11W x 3-3/4H x 22D	9 LB
RD18	14W x 3-3/4H x 22D	10 LB
RD21	17W x 3-3/4H x 22D	10 LB
RD24	20W x 3-3/4H x 22D	11 LB
RD27	23W x 3-3/4H x 22D	11 LB
RD30	26W x 3-3/4H x 22D	13 LB
RD33	29W x 3-3/4H x 22D	13 LB
RD36	32W x 3-3/4H x 22D	14 LB

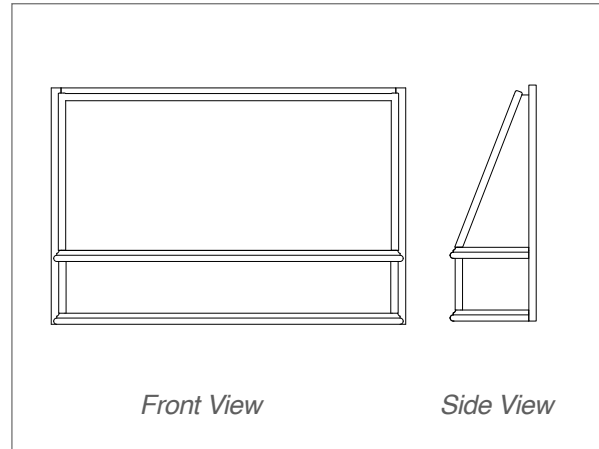
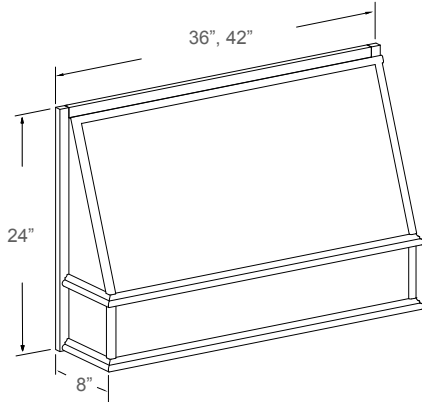
Features

- Clear Coat Finish
- 1 Pair Of Ball Bearing Soft-Close Side Glides

*Notes: For 24" Deep Cabinet only.
25" Glide Sold Separately for Pantry.*

PLEASE CALL FIRST All specifications are subject to change without notice. All images are for reference only. To ensure the highest satisfaction, we strongly recommend you view an actual sample for product style and construction.

Range Wood Hood



Features

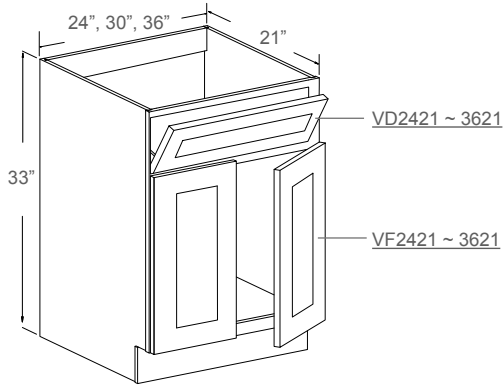
- RHE3624 - Inside Dimensions: 32.5W x 7.5H x 7.5D
- RHE4224 - Inside Dimensions: 38.5W x 7.5H x 7.5D

NOT Available For E1, E2: RHE3624, RHE4224.

Item Code	Dimensions	Weight
RHE3624	36W x 24H x 8D	20 LB
* RHE4224	42W x 24H x 8D	22 LB

PLEASE CALL FIRST Availability for a particular product style and color may vary depending on locations. Please check with your local J&K Cabinetry authorized wholesaler for current availability before planning your projects.

Vanity Sink Cabinet

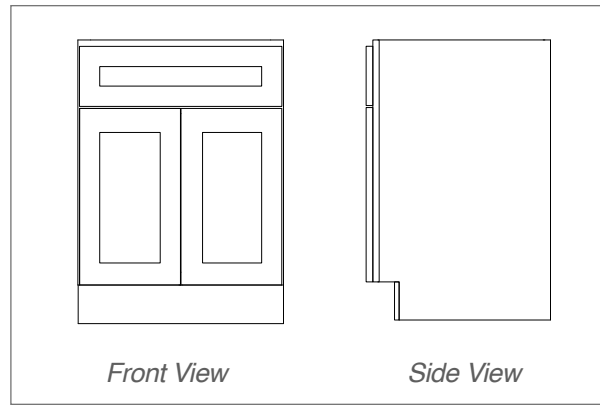


Features

- 1 Tilt-Out Drawer With Tray
- 2 Doors
- No Shelf

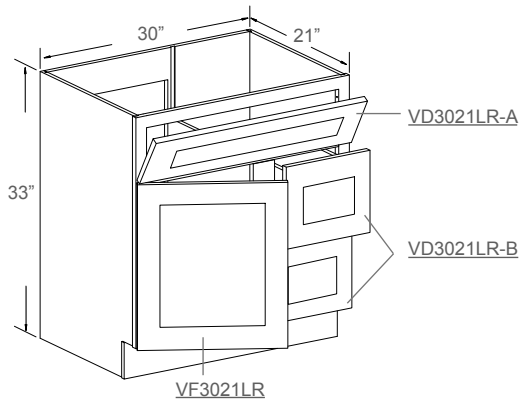
Notes: Back Panel Open

Notes: Underlined Item Codes Indicate Replacement Parts.



Item Code	Dimensions	Weight
* FA2421	24W x 33H x 21D	39 LB
FA3021	30W x 33H x 21D	45 LB
* FA3621	36W x 33H x 21D	51 LB

Vanity Sink Cabinet

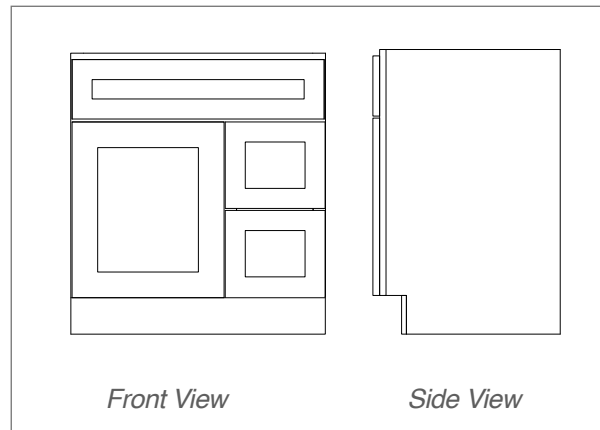


Features

- 1 Tilt-Out Drawer With Tray
- 1 Door on Left
- 2 Drawers on Right
- No Shelf

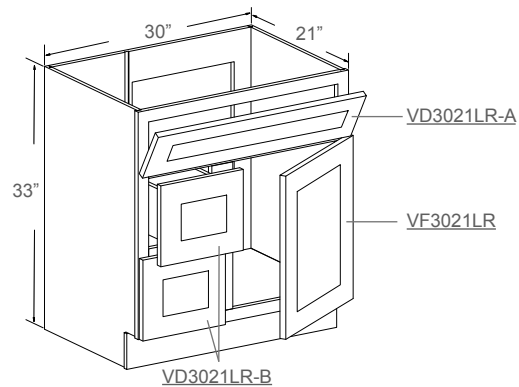
Notes: Back Panel Open On Left

Notes: Underlined Item Codes Indicate Replacement Parts.



Item Code	Dimensions	Weight
FA3021DL	30W x 33H x 21D	75 LB

Vanity Sink Cabinet

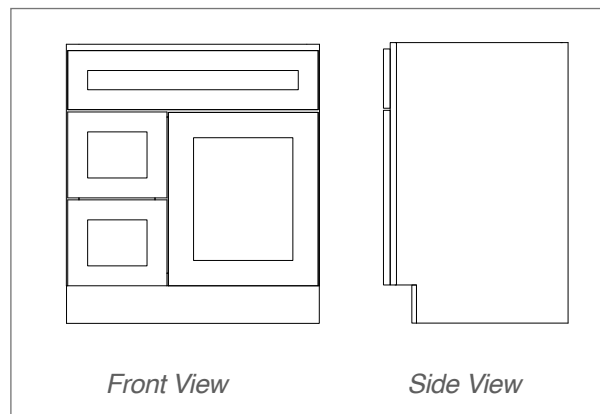


Features

- 1 Tilt-Out Drawer With Tray
- 2 Drawers on Left
- 1 Door on Right
- No Shelf

Notes: Back Panel Open On Right

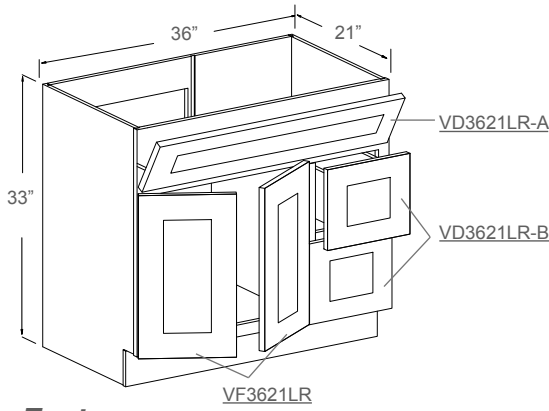
Notes: Underlined Item Codes Indicate Replacement Parts.



Item Code	Dimensions	Weight
FA3021DR	30W x 33H x 21D	75 LB

PLEASE CALL FIRST Availability for a particular product style and color may vary depending on locations. Please check with your local J&K Cabinetry authorized wholesaler for current availability before planning your projects.

Vanity Sink Cabinet

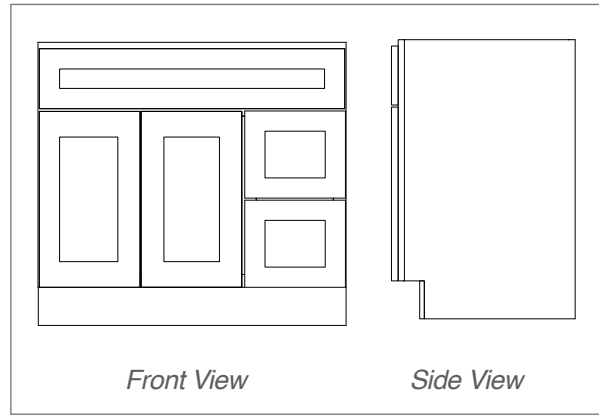


Features

- 1 Tilt-Out Drawer With Tray
- 2 Drawers on Right
- 2 Doors on Left
- No Shelf

Notes: Back Panel Open On Left

Notes: Underlined Item Codes Indicate Replacement Parts.

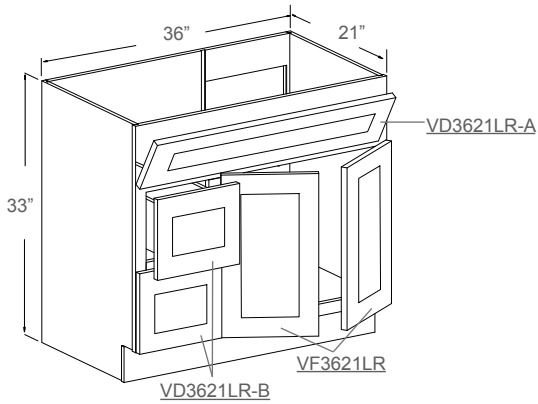


Front View

Side View

Item Code	Dimensions	Weight
FA3621DL	36W x 33H x 21D	80 LB

Vanity Sink Cabinet

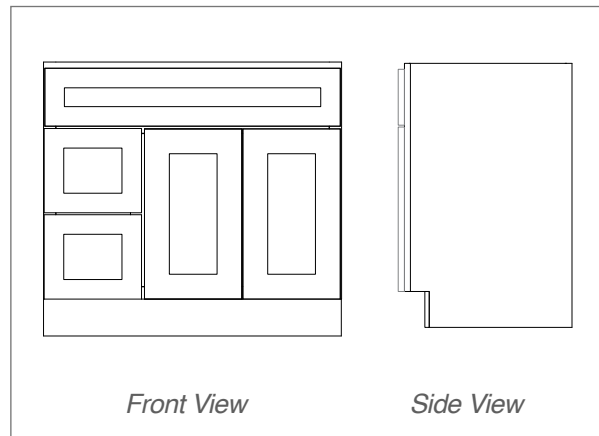


Features

- 1 Tilt-Out Drawer With Tray
- 2 Drawers on Left
- 2 Doors on Right
- No Shelf

Notes: Back Panel Open On Right

Notes: Underlined Item Codes Indicate Replacement Parts.

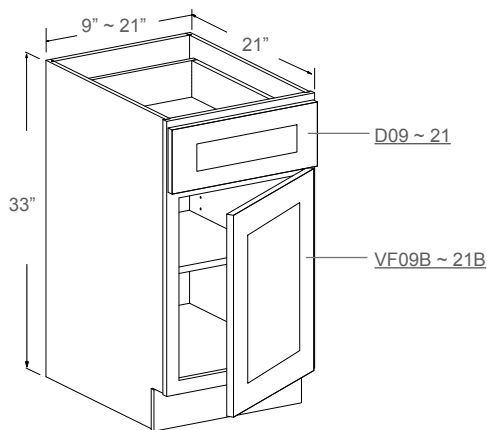


Front View

Side View

Item Code	Dimensions	Weight
FA3621DR	36W x 33H x 21D	80 LB

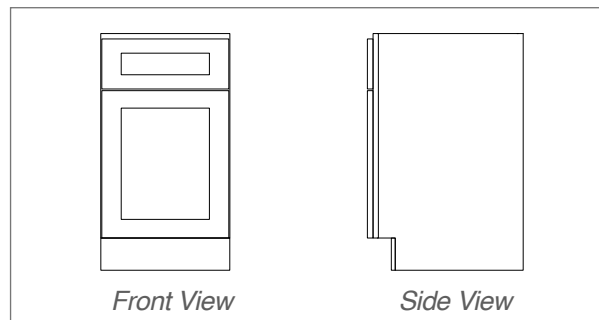
Vanity Base Cabinet



Features

- 1 Drawer
- 1 Door
- 1 Adjustable Shelf

Notes: Underlined Item Codes Indicate Replacement Parts.



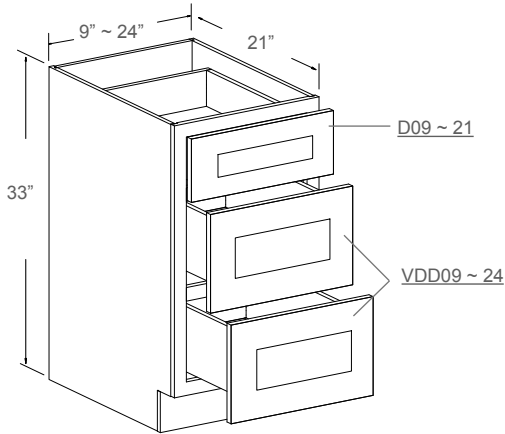
Front View

Side View

Item Code	Dimensions	Weight
* SVA09B	9W x 33H x 21D	36 LB
* SVA12B	12W x 33H x 21D	40 LB
* SVA15B	15W x 33H x 21D	42 LB
* SVA18B	18W x 33H x 21D	47 LB
* SVA21B	21W x 33H x 21D	52 LB

PLEASE CALL FIRST All specifications are subject to change without notice. All images are for reference only. To ensure the highest satisfaction, we strongly recommend you view an actual sample for product style and construction.

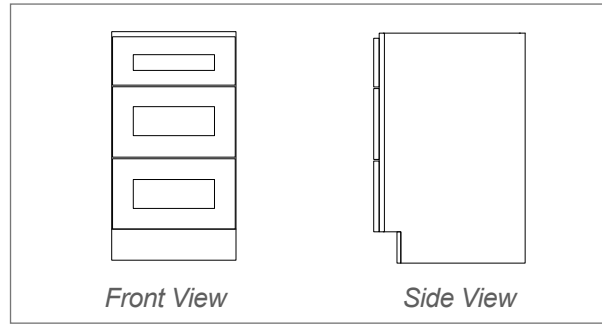
Vanity Drawer Base



Features

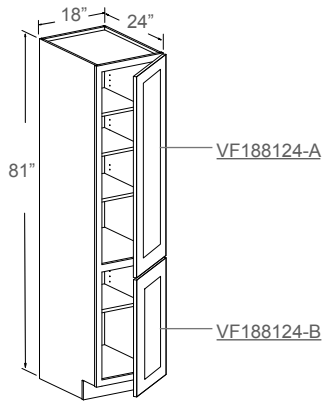
- 1 Small Drawer
- 2 Large Drawers

Notes: Underlined Item Codes Indicate Replacement Parts.



Item Code	Dimensions	Weight
* SVA09D	9W x 33H x 21D	53 LB
SVA12D	12W x 33H x 21D	60 LB
SVA15D	15W x 33H x 21D	66 LB
SVA18D	18W x 33H x 21D	70 LB
* SVA21D	21W x 33H x 21D	75 LB
SVA24D	24W x 33H x 21D	79 LB

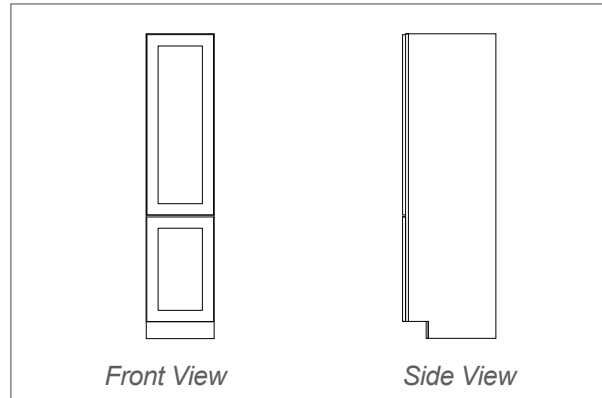
Vanity Linen Cabinet



Features

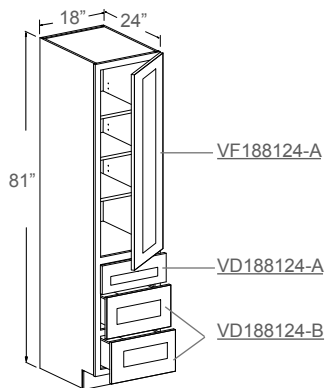
- 2 Doors
- 4 Adjustable Shelves

Notes: Underlined Item Codes Indicate Replacement Parts.



Item Code	Dimensions	Weight
SVA188124P	18W x 81H x 24D	103 LB

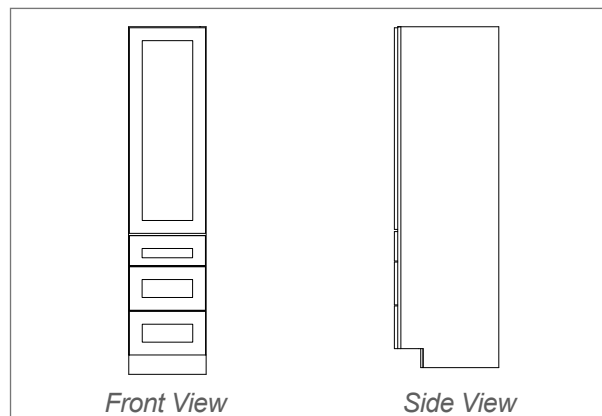
Vanity Drawer Linen Cabinet



Features

- 1 Door
- 3 Adjustable Shelves
- 1 Small Bottom Drawer
- 2 Large Bottom Drawers

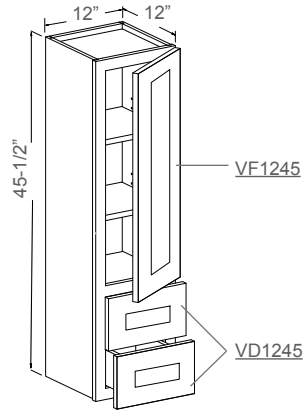
Notes: Underlined Item Codes Indicate Replacement Parts.



Item Code	Dimensions	Weight
* SVA188124D	18W x 81H x 24D	145 LB

PLEASE CALL FIRST Availability for a particular product style and color may vary depending on locations. Please check with your local J&K Cabinetry authorized wholesaler for current availability before planning your projects.

Vanity Counter Linen Cabinet

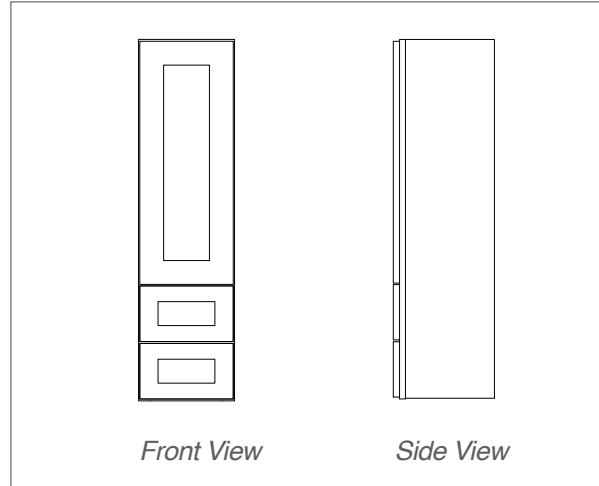


Features

- 1 Door
- 2 Adjustable Shelves
- 2 Small Drawers

Notes: Underlined Item Codes Indicate Replacement Parts.

Door Style	Drawer Upper	Drawer Lower
K3	6"H	11-3/8"H
S-series, H9 B-series	7"H	10-7/8"H
E-series	7"H	10-3/4"H

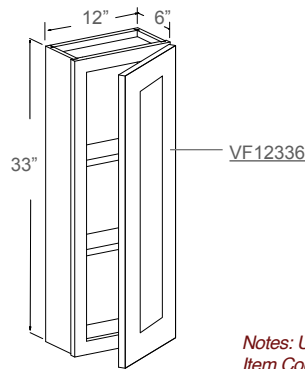


Front View

Side View

Item Code	Dimensions	Weight
DV1245	12W x 45-1/2H x 12D	42 LB

Vanity Medicine Cabinet



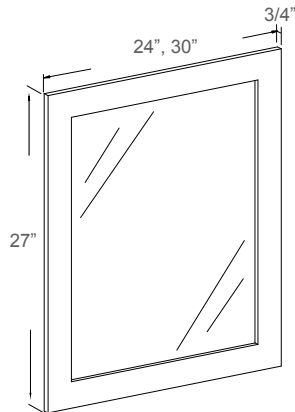
Features

- 1 Door
- 2 Adjustable Shelves

Notes: Underlined Item Codes Indicate Replacement Parts.

Item Code	Dimensions	Weight
* WV12336	12W x 33H x 6D	18 LB

Vanity Mirror



Features

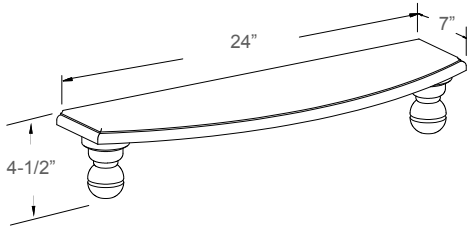
- Wooden Frame
- Beveled Edge Mirror (Not Tempered)

Notes: Hanging Hardware NOT Included

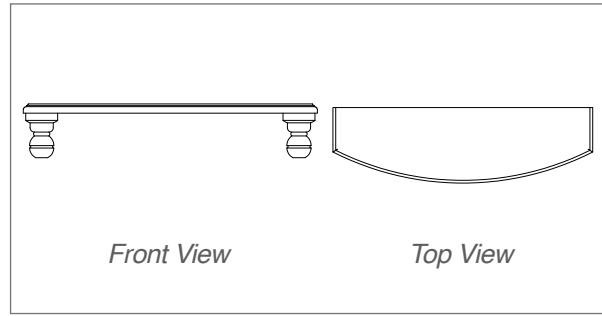
Item Code	Dimensions	Weight
SVAM2427	24W x 27H x 3/4D	15 LB
SVAM3027	30W x 27H x 3/4D	20 LB

PLEASE CALL FIRST All specifications are subject to change without notice. All images are for reference only. To ensure the highest satisfaction, we strongly recommend you view an actual sample for product style and construction.

Vanity Decorative Foot

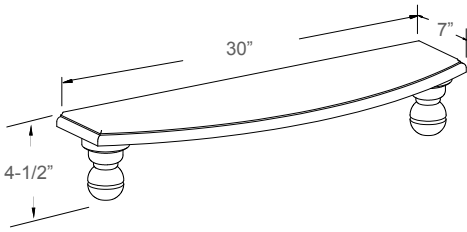


Notes: Use With Vanity Sink Cabinet Curved Door FSVA24

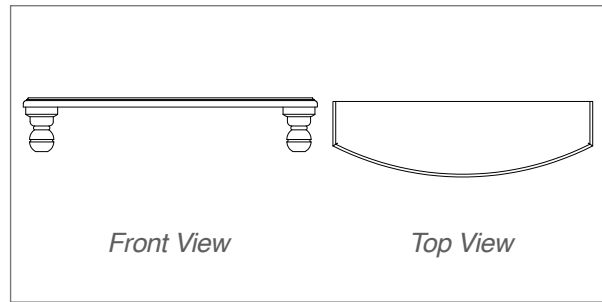


Item Code	Dimensions	Weight
* #24	24W x 4-1/2H x 7D	3 LB

Vanity Decorative Foot



Notes: Use With Vanity Sink Cabinet Curved Door FSVA24



Item Code	Dimensions	Weight
* #30	30W x 4-1/2H x 7D	4 LB

PLEASE CALL FIRST Availability for a particular product style and color may vary depending on locations. Please check with your local J&K Cabinetry authorized wholesaler for current availability before planning your projects.

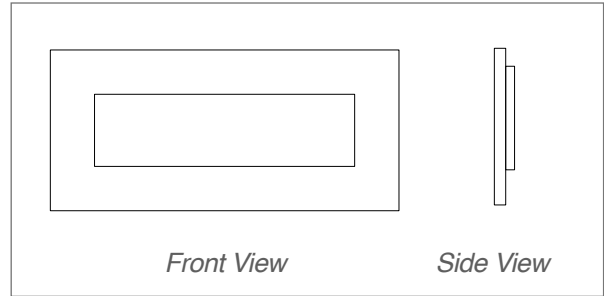
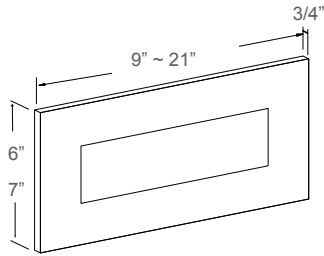
Dummy Doors, Drawers & Replacements

(These items are ONLY for sale for replacement and decorative purposes.)



DUMMY DOORS, DRAWERS & REPLACEMENTS

Replacement Top Drawer Panel



Features

- 1 Replacement Drawer Panel

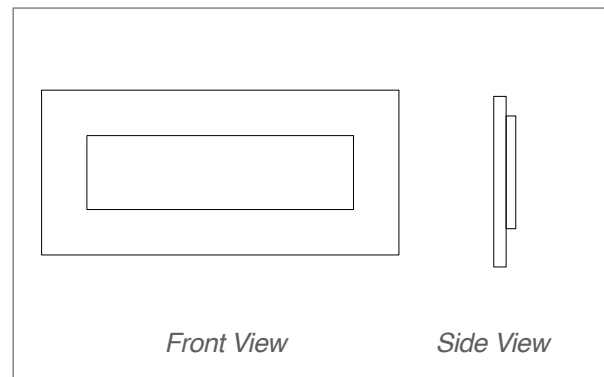
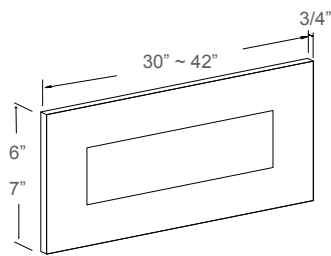
Notes:

Replacement For **TOP** Drawer Panels In Cabinets:
 B09 ~ 42 (see Pg.12,13); DB12-3 ~ 24-3 (see Pg.13);
 BBC42L/R (see Pg.15); BEC24 (see Pg.16);
 SVA09B ~ 21B (see Pg.38); SVA09D ~ 24D (see Pg.39)

Door Style	Drawer Height
K3	6"H
S-series, H9 B-series	7"H
E-series	7"H

Item Code	Dimensions	Weight
* D09	9W x 3/4D	1 LB
* D12	12W x 3/4D	2 LB
* D15	15W x 3/4D	3 LB
* D18	18W x 3/4D	3 LB
* D21	21W x 3/4D	3 LB
* D24	24W x 3/4D	4 LB
* D27	27W x 3/4D	4 LB
* D30L	15W x 3/4D	3 LB
* D30R	15W x 3/4D	3 LB
* D33L	16-1/2W x 3/4D	3 LB
* D33R	16-1/2W x 3/4D	3 LB
* D36L	18W x 3/4D	3 LB
* D36R	18W x 3/4D	3 LB
* D42L	21W x 3/4D	3 LB
* D42R	21W x 3/4D	3 LB

Replacement Top Drawer Panel



Features

- 1 Replacement Drawer Panel

Notes:

Replacement For **TOP** Drawer Panels In Cabinets:
 DB30-3 ~ 36-3 (see Pg.13)

Door Style	Drawer Height
K3	6"H
S-series, H9 B-series	7"H
E-series	7"H

Item Code	Dimensions	Weight
* D30S	30W x 3/4D	5 LB
* D33S	33W x 3/4D	6 LB

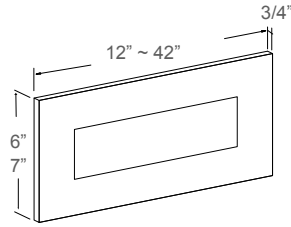
PLEASE CALL FIRST All specifications are subject to change without notice. All images are for reference only. To ensure the highest satisfaction, we strongly recommend you view an actual sample for product style and construction.

Dummy Doors, Drawers & Replacements

(These items are **ONLY** for sale for replacement and decorative purposes.)



Replacement Bottom Drawer Panel



Features

- 1 Replacement Drawer Panel

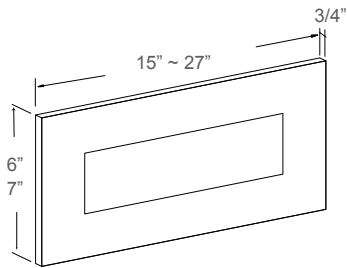
Door Style	Drawer Height
K3	6"H
S-series, H9 B-series	7"H
E-series	7"H

Notes:

Replacement For **BOTTOM** Drawer Panels In Cabinets:
DB12-3 ~ 36-3 (see Pg.13)

Item Code	Dimensions	Weight
* DD12	12W x 3/4D	3 LB
* DD15	15W x 3/4D	4 LB
* DD18	18W x 3/4D	5 LB
* DD21	21W x 3/4D	5 LB
* DD24	24W x 3/4D	6 LB
* DD30	30W x 3/4D	8 LB
* DD33	33W x 3/4D	9 LB
* DD36	36W x 3/4D	9 LB

Replacement Sink Drawer Panel



Features

- 1 Replacement Tilt-Out Drawer Panel

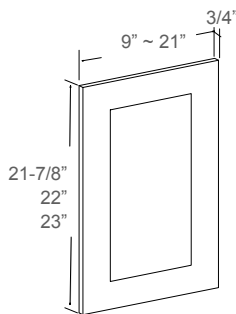
Door Style	Drawer Height
K3	6"H
S-series, H9 B-series	7"H
E-series	7"H

Notes:

Replacement For Sink Drawer Panels In Cabinets:
SB30 ~ 42 (see Pg.15)

Item Code	Dimensions	Weight
* DS27	27W x 3/4D	3 LB
* DS30L	15W x 3/4D	2 LB
* DS30R	15W x 3/4D	2 LB
* DS33L	16-1/2W x 3/4D	2 LB
* DS33R	16-1/2W x 3/4D	2 LB
* DS36L	18W x 3/4D	2 LB
* DS36R	18W x 3/4D	2 LB
* DS42L	21W x 3/4D	2 LB
* DS42R	21W x 3/4D	2 LB

Replacement Bottom Door Panel



Features

- 1 Replacement Door Panel
- Predrilled Hinge Holes On The Back

Door Style	Drawer Height
K3	6"H
S-series, H9 B-series	7"H
E-series	7"H

Notes:

Replacement For Door Panels In Cabinets:
B09 ~ 42 (see Pg.12,13); BBC42L/R(see Pg.15);
SB30 ~ 42(see Pg.15); BEC24(see Pg.16).

Item Code	Dimensions	Weight
* F09	9W x 3/4D	3 LB
* F12	12W x 3/4D	4 LB
* F15	15W x 3/4D	5 LB
* F18	18W x 3/4D	6 LB
* F21	21W x 3/4D	7 LB
* F27	13-1/2W x 3/4D	4 LB
* F33	16-1/2W x 3/4D	5 LB

PLEASE CALL FIRST Availability for a particular product style and color may vary depending on locations.
Please check with your local J&K Cabinetry authorized wholesaler for current availability before planning your projects.

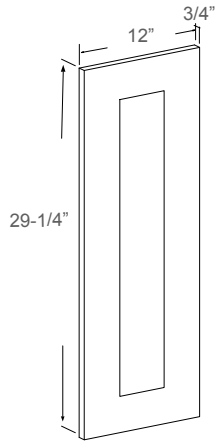
Dummy Doors, Drawers & Replacements

(These items are ONLY for sale for replacement and decorative purposes.)



DUMMY DOORS, DRAWERS & REPLACEMENTS

Replacement Lazy Susan Door Panel



Features

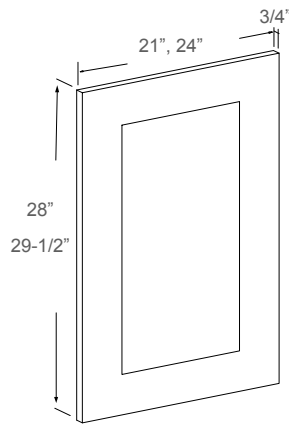
- 1 Replacement Door Panel
- Predrilled Hinge Holes On The Back

Notes:

Replacement For Door Panels In Cabinets:
LS3612 (see Pg.14)

Item Code	Dimensions	Weight
* LS12	12W x 29-1/4H x 3/4D	4 LB

Dummy Door Panel



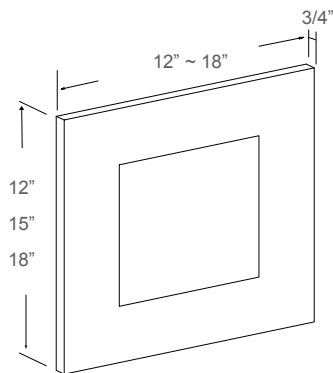
Features

- 1 Dummy Door Panel

Notes: NOT For Replacement

Item Code	Dimensions	Weight
* BDD21	21W x 28H x 3/4D	9 LB
BDD24	24W x 29-1/2H x 3/4D	10 LB

Replacement Wall Door Panel - 12"/15"/18" H



Features

- 1 Replacement Door Panel
- Predrilled Hinge Holes On The Back

Notes:

Replacement For Wall Door Panels In Cabinets:
W2412 ~ 3618 (see Pg.18)

Item Code	Dimensions	Weight
* W2412F	12W x 12H x 3/4D	2 LB
* W3012F	15W x 12H x 3/4D	3 LB
* W3312F	16-1/2W x 12H x 3/4D	3 LB
* W3612F	18W x 12H x 3/4D	3 LB
* W3015F	15W x 15H x 3/4D	3 LB
* W3315F	16-1/2W x 15H x 3/4D	4 LB
* W3615F	18W x 15H x 3/4D	4 LB
* W2418F	12W x 18H x 3/4D	3 LB
* W3018F	15W x 18H x 3/4D	4 LB
* W3318F	16-1/2W x 18H x 3/4D	4 LB
* W3618F	18W x 18H x 3/4D	4 LB

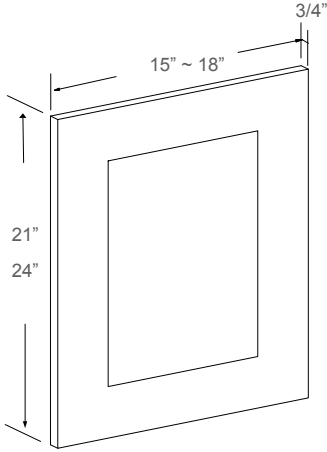
PLEASE CALL FIRST All specifications are subject to change without notice. All images are for reference only. To ensure the highest satisfaction, we strongly recommend you view an actual sample for product style and construction.

Dummy Doors, Drawers & Replacements

(These items are ONLY for sale for replacement and decorative purposes.)



Replacement Wall Door Panel - 21" / 24" H



Features

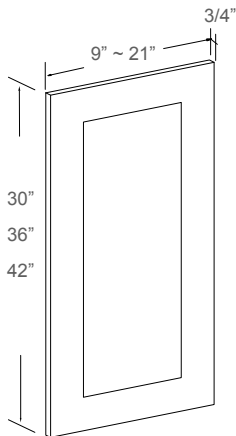
- 1 Replacement Door Panel
- Predrilled Hinge Holes On The Back

Notes:

Replacement For Wall Door Panels In Cabinets:
W2421 ~ 3027 (see Pg.18,19)

Item Code	Dimensions	Weight
* W3021F	15W x 21H x 3/4D	4 LB
* W3321F	16-1/2W x 21H x 3/4D	5 LB
* W3621F	18W x 21H x 3/4D	5 LB
* W1824F	18W x 24H x 3/4D	6 LB
* W3024F	15W x 24H x 3/4D	5 LB
* W3324F	16-1/2W x 24H x 3/4D	6 LB
* W3624F	18W x 24H x 3/4D	6 LB

Replacement Wall Door Panel - 30" / 36" / 42" H



Features

- 1 Replacement Door Panel
- Predrilled Hinge Holes On The Back

Notes:

Replacement For Wall Door Panels In Cabinets:
W0930 ~ 3342 (see Pg.19,20,21)
Replacement For Pantry **TOP** Door Panels In Cabinets:
WP18## ~ 30## (see Pg.32)

Item Code	Dimensions	Weight
* W0930F	9W x 30H x 3/4D	4 LB
W1230F	12W x 30H x 3/4D	5 LB
W1530F	15W x 30H x 3/4D	7 LB
* W1830F	18W x 30H x 3/4D	8 LB
* W2130F	21W x 30H x 3/4D	9 LB
* W2730F	13-1/2W x 30H x 3/4D	6 LB
* W3330F	16-1/2W x 30H x 3/4D	7 LB
* W0936F	9W x 36H x 3/4D	5 LB
W1236F	12W x 36H x 3/4D	6 LB
* W1536F	15W x 36H x 3/4D	7 LB
* W1836F	18W x 36H x 3/4D	9 LB
* W2136F	21W x 36H x 3/4D	10 LB
* W2736F	13-1/2W x 36H x 3/4D	7 LB
* W3336F	16-1/2W x 36H x 3/4D	8 LB
* W0942F	9W x 42H x 3/4D	5 LB
W1242F	12W x 42H x 3/4D	7 LB
* W1542F	15W x 42H x 3/4D	8 LB
* W1842F	18W x 42H x 3/4D	9 LB
* W2142F	21W x 42H x 3/4D	11 LB
* W2742F	13-1/2W x 42H x 3/4D	8 LB
* W3342F	16-1/2W x 42H x 3/4D	9 LB

PLEASE CALL FIRST Availability for a particular product style and color may vary depending on locations.
Please check with your local J&K Cabinetry authorized wholesaler for current availability before planning your projects.

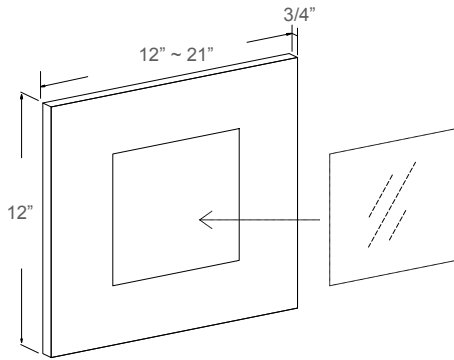
Dummy Doors, Drawers & Replacements

(These items are ONLY for sale for replacement and decorative purposes.)



DUMMY DOORS, DRAWERS & REPLACEMENTS

Replacement Glass Insert Door Panel - 12"H



Features

- 1 Replacement Glass Insert Door Panel

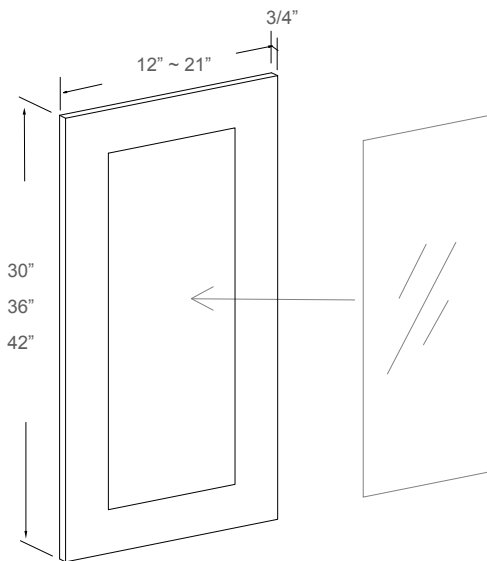
Notes: Glass Inserts NOT Included

Notes:

Replacement For Glass Insert Door Panels In WallCabinets: WM1212H ~ WM3312H (see Pg.21, 22)

	Item Code	Dimensions	Weight
*	WM1212	12W x 12H x 3/4D	8 LB
*	WM1512	15W x 12H x 3/4D	10 LB
*	WM1812	18W x 12H x 3/4D	11 LB
*	WM2112	21W x 12H x 3/4D	12 LB
*	WM2712	13-1/2W x 12H x 3/4D	9 LB
*	WM3312	16-1/2W x 12H x 3/4D	10 LB

Replacement Glass Insert Door Panel - 30"/36"/42"H



Features

- 1 Replacement Glass Insert Door Panel

Notes: Glass Inserts NOT Included

Notes:

Replacement For Glass Insert Door Panels In Cabinets:

WM1230H ~ 3642H (see Pg.22,23,24);

WMDC2430H ~ 2442H (see Pg.26,27)

	Item Code	Dimensions	Weight
*	WM1230	12W x 30H x 3/4D	3 LB
*	WM1530	15W x 30H x 3/4D	3 LB
*	WM1830	18W x 30H x 3/4D	4 LB
*	WM2130	21W x 30H x 3/4D	4 LB
*	WM2730	13-1/2W x 30H x 3/4D	3 LB
*	WM1236	12W x 36H x 3/4D	3 LB
*	WM1536	15W x 36H x 3/4D	4 LB
*	WM1836	18W x 36H x 3/4D	4 LB
*	WM2136	21W x 36H x 3/4D	5 LB
*	WM2736	13-1/2W x 36H x 3/4D	3 LB
*	WM1242	12W x 42H x 3/4D	3 LB
*	WM1542	15W x 42H x 3/4D	4 LB
*	WM1842	18W x 42H x 3/4D	5 LB
*	WM2142	21W x 42H x 3/4D	6 LB
*	WM2742	13-1/2W x 42H x 3/4D	5 LB

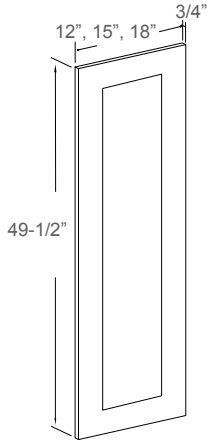
PLEASE CALL FIRST All specifications are subject to change without notice. All images are for reference only. To ensure the highest satisfaction, we strongly recommend you view an actual sample for product style and construction.

Dummy Doors, Drawers & Replacements

(These items are **ONLY** for sale for replacement and decorative purposes.)



Replacement Pantry Bottom Door Panel



Features

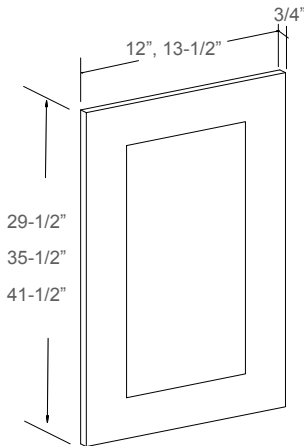
- 1 Replacement Door Panel

Notes:

Replacement For Pantry **BOTTOM** Door Panels In Cabinets:
WP18## ~ 30## (see Pg.32).

	Item Code	Dimensions	Weight
*	WP18BF	18W x 49-1/2H x 3/4D	12 LB
*	WP24BF	12W x 49-1/2H x 3/4D	8 LB
*	WP30BF	15W x 49-1/2H x 3/4D	10 LB

Dummy Pantry Upper Door Panel



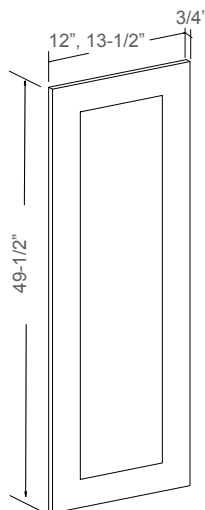
Features

- 1 Dummy Door Panel

Notes: NOT For Replacement

	Item Code	Dimensions	Weight
*	W1230F	12W x 29-1/2H x 3/4D	7 LB
*	W2730F	13-1/2W x 29-1/2H x 3/4D	8 LB
*	W1236F	12W x 35-1/2H x 3/4D	9 LB
*	W2736F	13-1/2W x 35-1/2H x 3/4D	10 LB
*	W1242F	12W x 41-1/2H x 3/4D	11 LB
*	W2742F	13-1/2W x 41-1/2H x 3/4D	12 LB

Dummy Pantry Lower Door Panel



Features

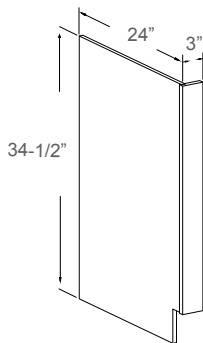
- 1 Dummy Door Panel

Notes: NOT For Replacement

	Item Code	Dimensions	Weight
*	PDDL24	12W x 49-1/2H x 3/4D	8 LB
*	PDDL27	13-1/2W x 49-1/2H x 3/4D	9 LB

PLEASE CALL FIRST Availability for a particular product style and color may vary depending on locations.
Please check with your local J&K Cabinetry authorized wholesaler for current availability before planning your projects.

Dishwasher Panel with Return Filler (L/R)



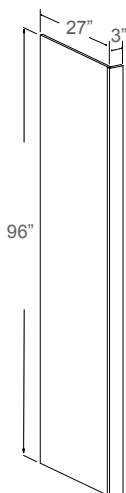
Features

- 3" Return Filler
- 5/8" Thick Panel
- Matching Color on Filler

Notes: NOT Assembled & Toe Kick NOT Included

Item Code	Dimensions	Weight
DWR (L/R)	3W x 34-1/2H x 24D	10 LB

Refrigerator Panel with Return Filler

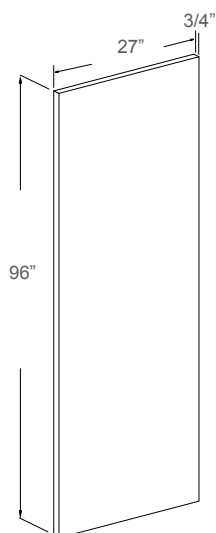


Features

- 3" Return Filler
- 5/8" Thick Panel
- Matching Color on Exterior

Item Code	Dimensions	Weight
RRP9627	3W x 96H x 27D	40 LB

Refrigerator Panel



Features

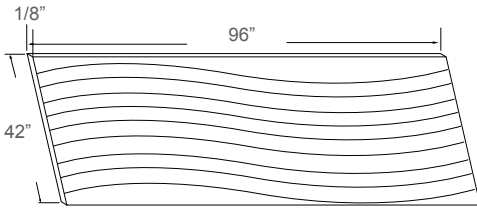
- 3/4" Thick Panel
- 4 Side-Edge Banded
- Matching Color on All Sides & Surfaces

Item Code	Dimensions	Weight
* RRP9627*3/4	3/4W x 96H x 27D	50 LB

PANELS & FILLERS

PLEASE CALL FIRST All specifications are subject to change without notice. All images are for reference only. To ensure the highest satisfaction, we strongly recommend you view an actual sample for product style and construction.

Finished Skin Panel

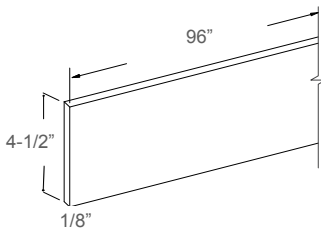


Features

- Long Grain Pattern in 36"H & 42"H Panels
- Matching Color on One Side

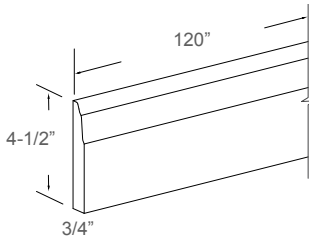
Item Code	Dimensions	Weight
* BP9642	96W x 42H x 1/8D	13 LB

Toe Kick



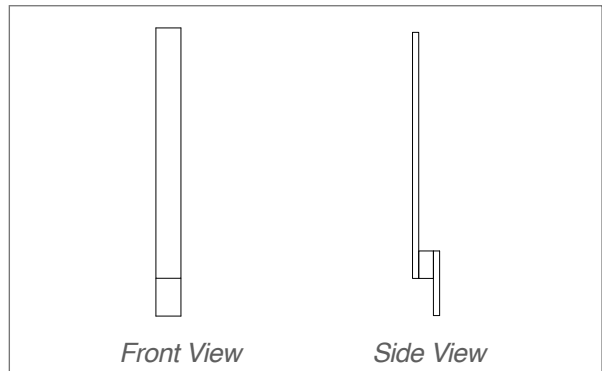
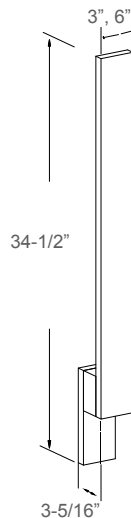
Item Code	Dimensions	Weight
TK8	4-1/2W x 96H x 1/8D	1.4 LB

Base Molding



Item Code	Dimensions	Weight
BM10-4-1/2	4-1/2W x 120H x 3/4D	8 LB

Base Filler



Item Code	Dimensions	Weight
BF3	3W x 34-1/2H x 3/4D	2 LB
BF6	6W x 34-1/2H x 3/4D	4 LB

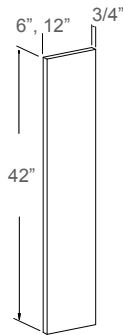
PLEASE CALL FIRST Availability for a particular product style and color may vary depending on locations. Please check with your local J&K Cabinetry authorized wholesaler for current availability before planning your projects.

Wall Filler



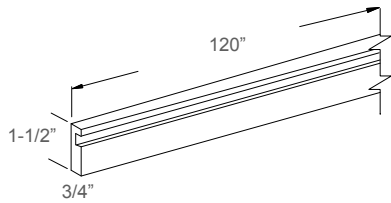
Item Code	Dimensions	Weight
WF342	3W x 42H x 3/4D	2 LB

Wall Filler



Item Code	Dimensions	Weight
* WF1236	12W x 36H x 3/4D	6 LB
WF642	6W x 42H x 3/4D	4 LB

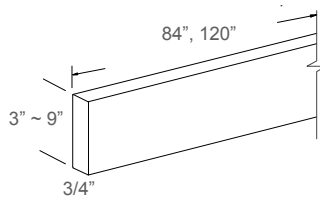
Tall Filler



Notes:
Dadoed. Good for Refridgerator Return use and Semi-custom cabinets.

Item Code	Dimensions	Weight
CM34-1-1/2	1-1/2W x 120H x 3/4D	3 LB

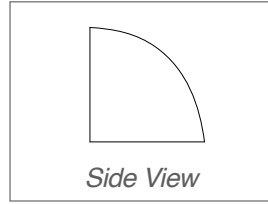
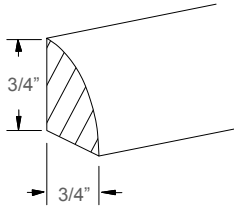
Tall Filler



Item Code	Dimensions	Weight
CM34-3	3W x 120H x 3/4D	6 LB
CM34-6	6W x 120H x 3/4D	10 LB
* CM34-9	9W x 84H x 3/4D	14 LB

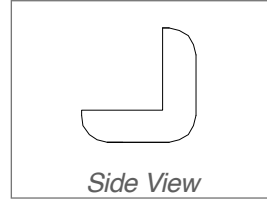
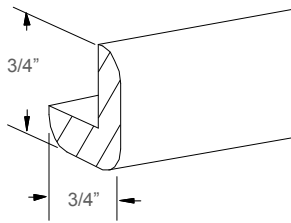
PLEASE CALL FIRST All specifications are subject to change without notice. All images are for reference only. To ensure the highest satisfaction, we strongly recommend you view an actual sample for product style and construction.

Quarter Round



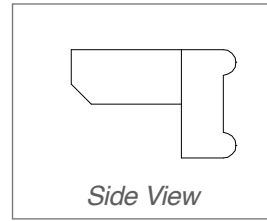
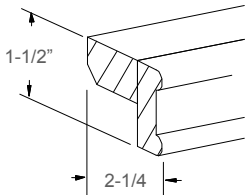
Item Code	Dimensions	Weight
QRM10	3/4H x 3/4D x 120L	1.3 LB

Outside Corner



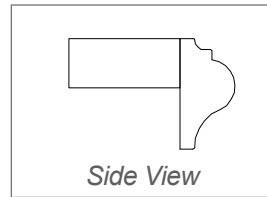
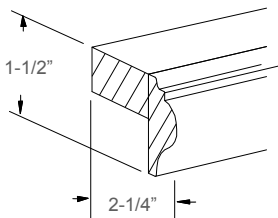
Item Code	Dimensions	Weight
OCM8	3/4H x 3/4D x 96L	0.7 LB

Traditional Light Rail



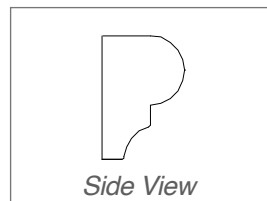
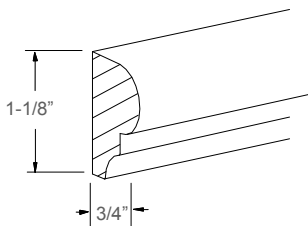
Item Code	Dimensions	Weight
TLR10-A	1-1/2H x 2-1/4D x 120L	5 LB

Light Rail



Item Code	Dimensions	Weight
* SMLR10	1-1/2H x 2-1/4D x 120L	5 LB

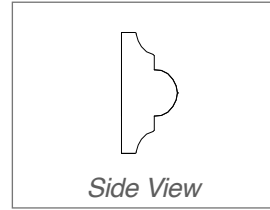
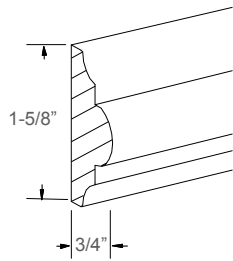
Chair Rail



Item Code	Dimensions	Weight
CR10	1-1/8H x 3/4D x 120L	2 LB

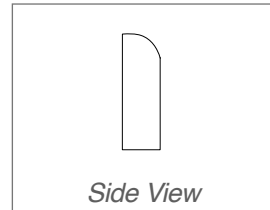
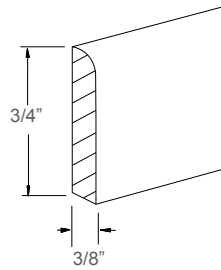
PLEASE CALL FIRST All specifications are subject to change without notice. All images are for reference only. To ensure the highest satisfaction, we strongly recommend you view an actual sample for product style and construction.

Full Chair Rail



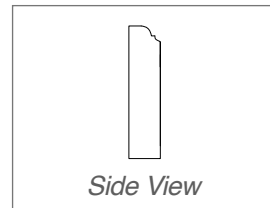
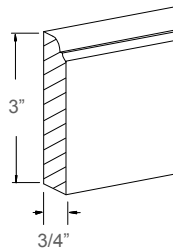
Item Code	Dimensions	Weight
FSM10	1-5/8H x 3/4D x 120L	2 LB

Scribe



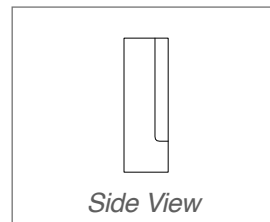
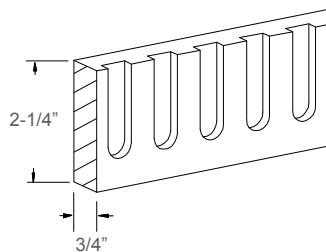
Item Code	Dimensions	Weight
SM8	3/4H x 3/8D x 96L	0.5 LB

Ogee



Item Code	Dimensions	Weight
OGM10	3H x 3/4D x 120L	6 LB

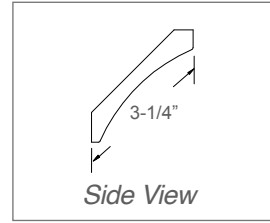
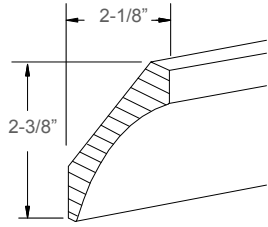
Wide Dentil



Item Code	Dimensions	Weight
WDM10	2-1/4H x 3/4D x 120L	4 LB

PLEASE CALL FIRST All specifications are subject to change without notice. All images are for reference only. To ensure the highest satisfaction, we strongly recommend you view an actual sample for product style and construction.

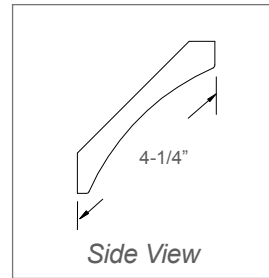
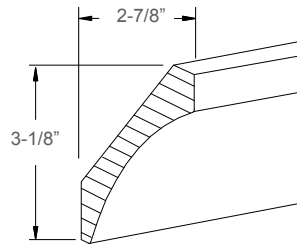
Cove



	Door style
Only available	S-series, E-series

Item Code	Dimensions	Weight
ST10	2-3/8H x 2-1/8D x 120L	4 LB

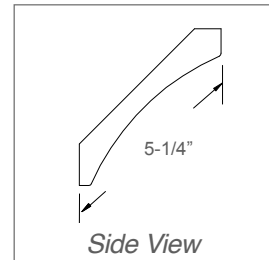
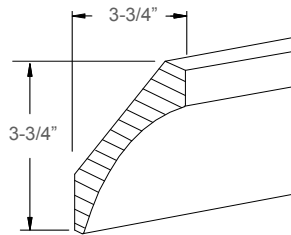
Cove



	Door style
Only available	S-series, E-series

Item Code	Dimensions	Weight
* ST10-- 4-1/4	3-1/8H x 2-7/8D x 120L	6 LB

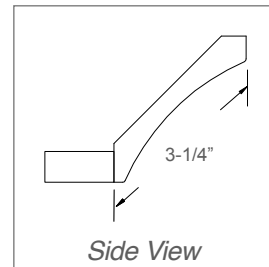
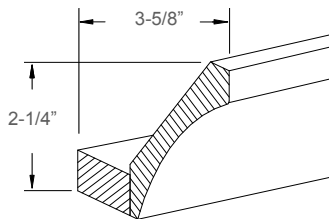
Large Cove



	Door style
Only available	S-series

Item Code	Dimensions	Weight
* ST10-- 5-1/4	3-3/4H x 3-3/4D x 120L	4 LB

Cove with Base

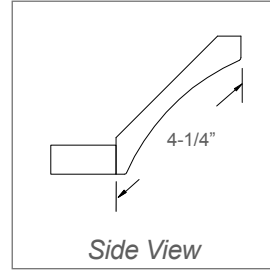
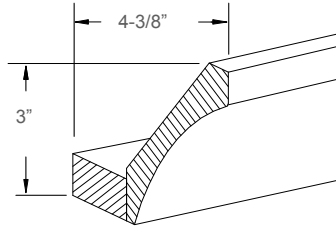


	Door style
Only available	S-series, E-series

Item Code	Dimensions	Weight
AST10-- 3-1/4	2-1/4H x 3-5/8D x 120L	7 LB

PLEASE CALL FIRST Availability for a particular product style and color may vary depending on locations. Please check with your local J&K Cabinetry authorized wholesaler for current availability before planning your projects.

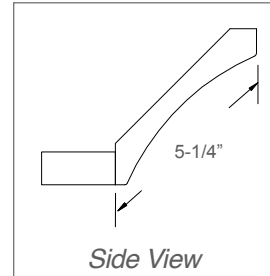
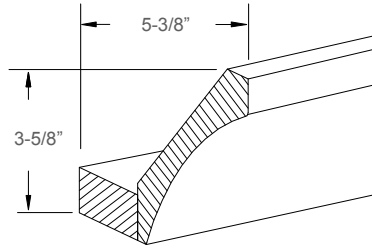
Cove with Base



	Door style
Only available	S-series, E-series

Item Code	Dimensions	Weight
* AST10-- 4-1/4	3H x 4-3/8D x 120L	8 LB

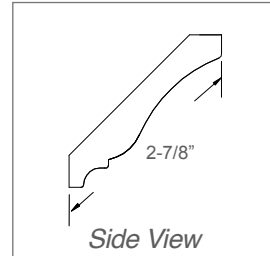
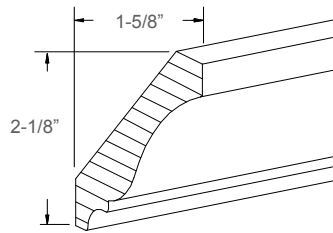
Large Cove With Base



	Door style
Only available	S-series

Item Code	Dimensions	Weight
AST10-- 5-1/4	3-5/8H x 5-3/8D x 120L	9 LB

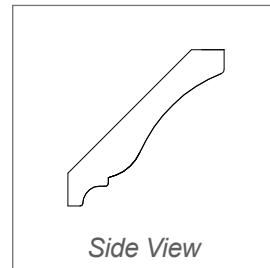
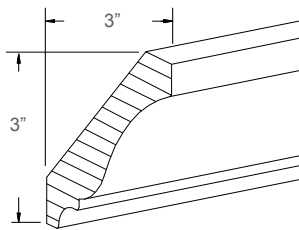
Crown



NOT Available For S-series : CM10

Item Code	Dimensions	Weight
CM10	2-1/8H x 1-5/8D x 120L	5 LB

Crown

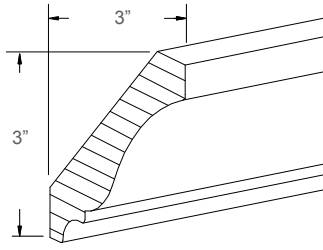


NOT Available For S-series : CM10-- 4-1/4

Item Code	Dimensions	Weight
* CM10-- 4-1/4	4-1/4H x 3/4D x 120L	7 LB

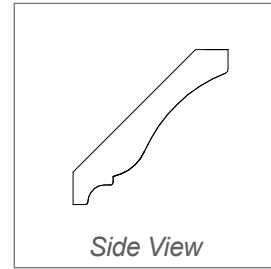
PLEASE CALL FIRST All specifications are subject to change without notice. All images are for reference only. To ensure the highest satisfaction, we strongly recommend you view an actual sample for product style and construction.

Large Crown



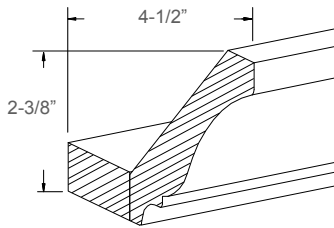
NOT Available For S-series : CM10-- 5-1/4

*

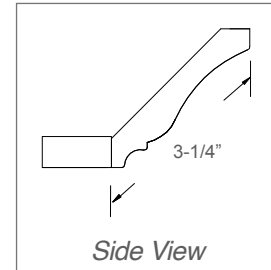


Item Code	Dimensions	Weight
CM10-- 5-1/4	5-1/4H x 3/4D x 120L	9 LB

Crown with Base

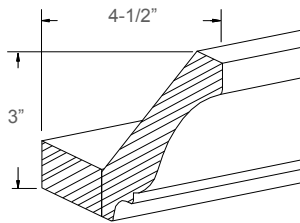


NOT Available For S-series : ACM10-- 3-1/4



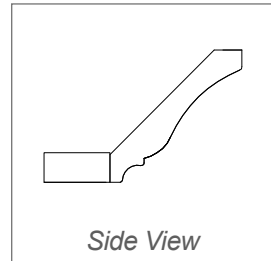
Item Code	Dimensions	Weight
ACM10-- 3-1/4	2-3/8H x 4-1/2D x 120L	8 LB

Crown with Base



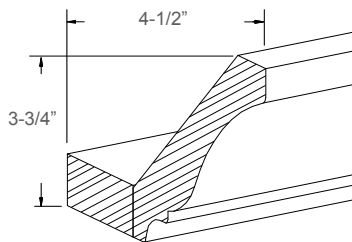
NOT Available For S-series : ACM10-- 4-1/4

*

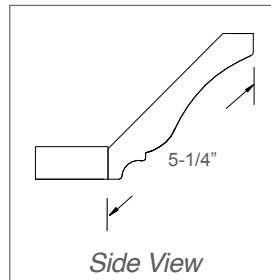


Item Code	Dimensions	Weight
ACM10-- 4-1/4	3H x 4-1/2D x 120L	10 LB

Large Crown with Base



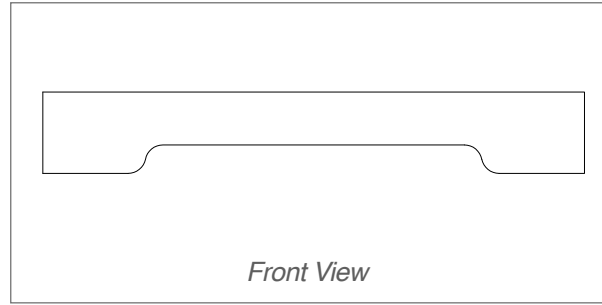
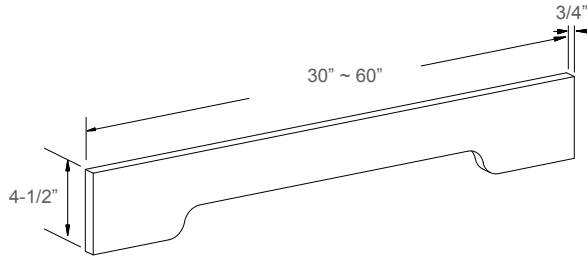
NOT Available For S-series : ACM10-- 5-1/4



Item Code	Dimensions	Weight
ACM10-- 5-1/4	3-3/4H x 4-1/2D x 120L	12 LB

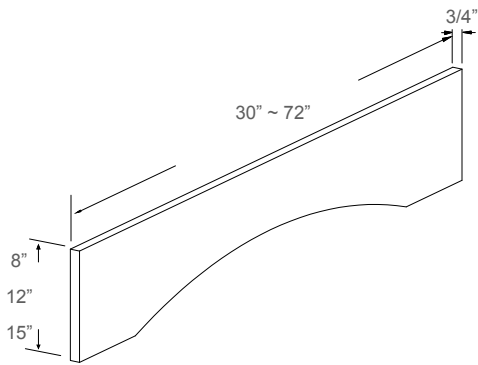
PLEASE CALL FIRST Availability for a particular product style and color may vary depending on locations. Please check with your local J&K Cabinetry authorized wholesaler for current availability before planning your projects.

Arch Valance



Item Code	Dimensions	Weight
V30B	30W x 4-1/2H x 3/4D	2 LB
V33B	33W x 4-1/2H x 3/4D	2 LB
V36B	36W x 4-1/2H x 3/4D	2 LB
V42B	42W x 4-1/2H x 3/4D	3 LB
V48B	48W x 4-1/2H x 3/4D	3 LB
V54B	54W x 4-1/2H x 3/4D	3 LB
V60B	60W x 4-1/2H x 3/4D	4 LB

Arch Valance

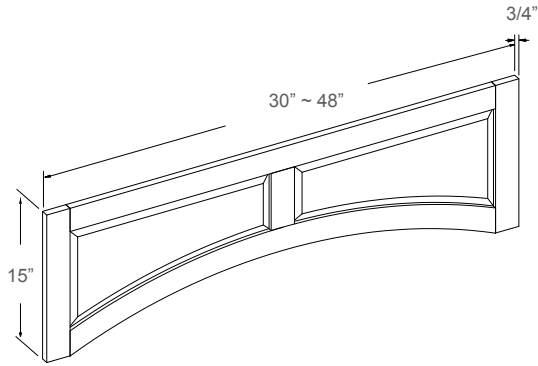


Notes: Valance Center 5" (RPV60 is 8-1/4")

Item Code	Dimensions	Weight
* RPV30	30W x 8H x 3/4D	4 LB
RPV36	36W x 8H x 3/4D	5 LB
RPV42	42W x 8H x 3/4D	6 LB
* RPV48	48W x 8H x 3/4D	6 LB
RPV54	54W x 8H x 3/4D	7 LB
* RPV42-12	42W x 12H x 3/4D	8 LB
* RPV60-15	60W x 15H x 3/4D	11 LB
* RPV72-15	72W x 15H x 3/4D	15 LB

PLEASE CALL FIRST All specifications are subject to change without notice. All images are for reference only. To ensure the highest satisfaction, we strongly recommend you view an actual sample for product style and construction.

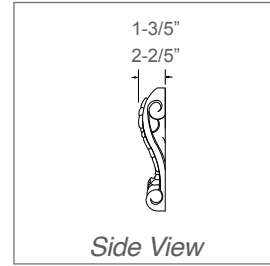
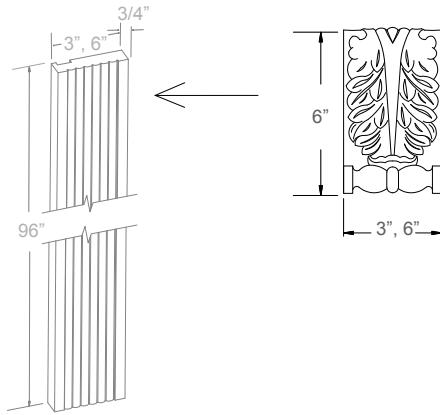
Arch Valance with Raised Panel



Notes: Arch Height: 4-1/2

Item Code	Dimensions	Weight
* RPV30-A	30W x 15H x 3/4D	6 LB
RPV36-A	36W x 15H x 3/4D	7 LB
RPV42-A	42W x 15H x 3/4D	8 LB
RPV48-A	48W x 15H x 3/4D	9 LB

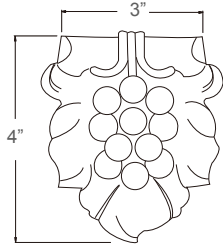
Decorative Leaf Block



Item Code	Dimensions	Weight
* LB3*6	3W x 6H x 1-3/5D	0.4 LB

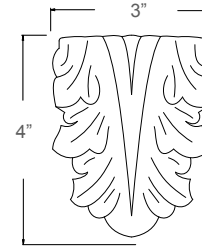
PLEASE CALL FIRST Availability for a particular product style and color may vary depending on locations. Please check with your local J&K Cabinetry authorized wholesaler for current availability before planning your projects.

Grape Ornament



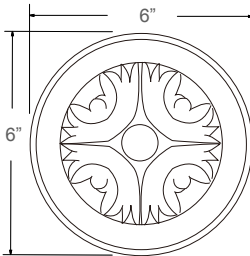
Item Code	Dimensions	Weight
* SGO	3W x 4H x 3/4D	0.1 LB

Leaf Ornament



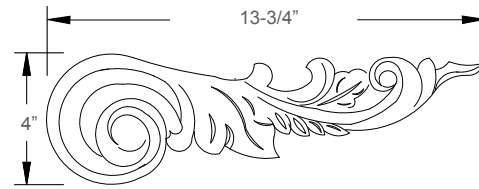
Item Code	Dimensions	Weight
* RGO	3W x 4H x 3/4D	0.1 LB

Round Ornament



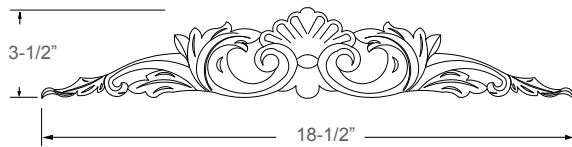
Item Code	Dimensions	Weight
* ASO	6W x 6H x 3/4D	0.6 LB

Leaf Onlay



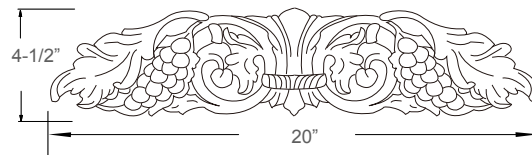
Item Code	Dimensions	Weight
* AB	13-3/4W x 4H x 3/4D	0.3 LB

Shell Onlay



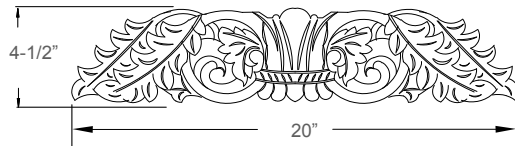
Item Code	Dimensions	Weight
* AC	18-1/2W x 3-1/2H x 1/2D	0.4 LB

Grape Onlay



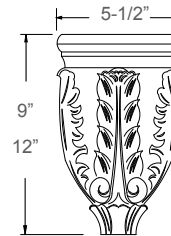
Item Code	Dimensions	Weight
GRPO	20W x 4-1/2H x 3/4D	1.2 LB

Large Leaf Onlay



Item Code	Dimensions	Weight
RRPO	20W x 4-1/2H x 3/4D	1.2 LB

Leaf Corbel



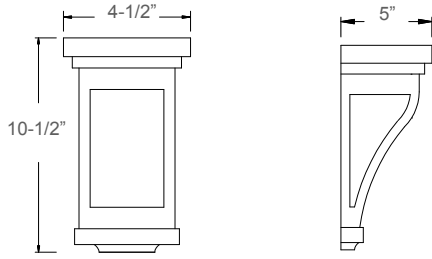
Item Code	Dimensions	Weight
* LC9	5-1/2W x 9H x 2-3/4D	2 LB
* LC12	5-1/2W x 12H x 2-3/4D	2 LB

PLEASE CALL FIRST All specifications are subject to change without notice. All images are for reference only. To ensure the highest satisfaction, we strongly recommend you view an actual sample for product style and construction.

ONLAYS, CORBELS & POSTS

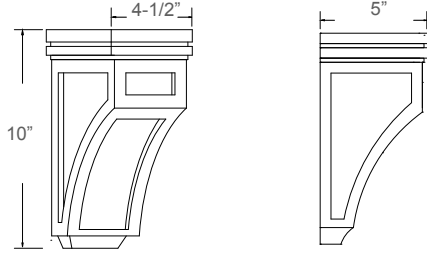


Mission Corbel



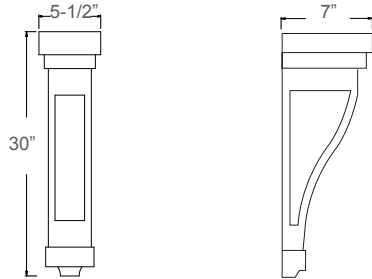
Item Code	Dimensions	Weight
SC58	4-1/2W x 10-1/2"H x 5D	3 LB

Mission Corbel



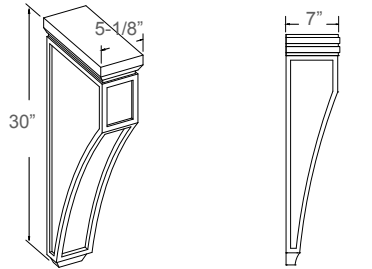
Item Code	Dimensions	Weight
* MC4-1/2-B	4-1/2W x 10H x 5D	3 LB

Large Mission Corbel



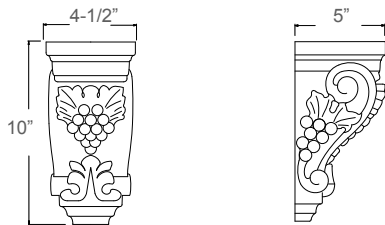
Item Code	Dimensions	Weight
* SC530	5-1/2W x 30H x 7D	13 LB

Large Mission Corbel



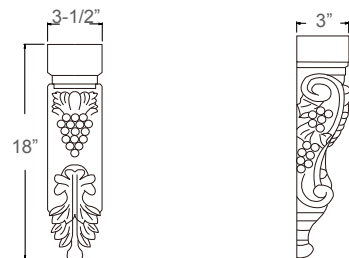
Item Code	Dimensions	Weight
* LMC5-1/8-B	5-1/8W x 30H x 7D	14 LB

Grape Corbel



Item Code	Dimensions	Weight
GC58	4-1/2W x 10H x 5D	3 LB

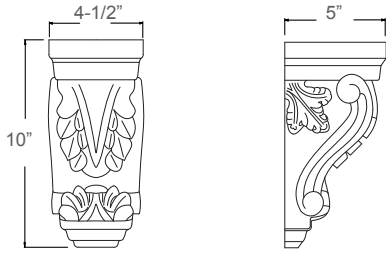
Narrow Grape Corbel



Item Code	Dimensions	Weight
OLC318	3-1/2W x 18H x 3D	1.4 LB

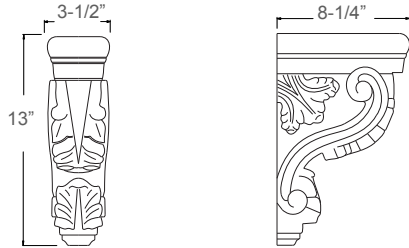
PLEASE CALL FIRST Availability for a particular product style and color may vary depending on locations. Please check with your local J&K Cabinetry authorized wholesaler for current availability before planning your projects.

Acanthus Corbel



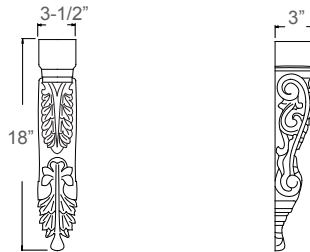
Item Code	Dimensions	Weight
RC58	4-1/2W x 10H x 5D	3 LB

Acanthus Corbel



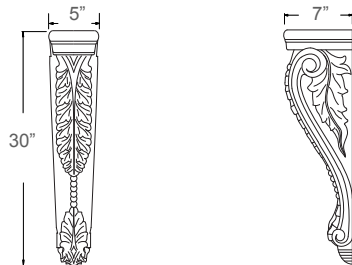
Item Code	Dimensions	Weight
RC313	3-1/2W x 13H x 8-1/4D	5 LB

Narrow Acanthus Corbel



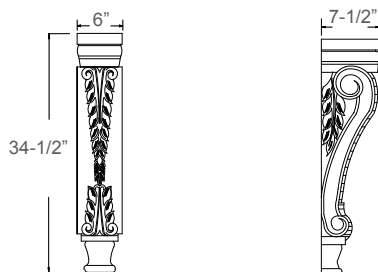
Item Code	Dimensions	Weight
RLC318	3-1/2W x 18H x 3D	1.4 LB

Large Acanthus Corbel



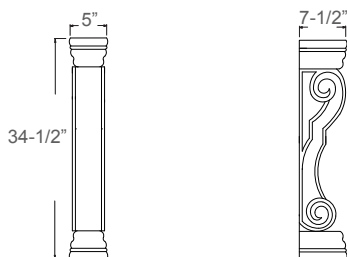
Item Code	Dimensions	Weight
RC530	5W x 30H x 7D	14 LB

Large Acanthus Corbel



Item Code	Dimensions	Weight
CB34-1/2	6W x 34-1/2H x 7-1/2D	24 LB

Roman Classic Corbel



Item Code	Dimensions	Weight
* RCC6X7-1/2	6W x 34-1/2H x 7-1/2D	24 LB

PLEASE CALL FIRST All specifications are subject to change without notice. All images are for reference only. To ensure the highest satisfaction, we strongly recommend you view an actual sample for product style and construction.

ONLAYS, CORBELS & POSTS

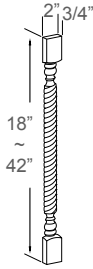


Full Turn Post



Item Code	Dimensions	Weight
SP3X34-1/2	3W x 34-1/2H x 3D	5 LB

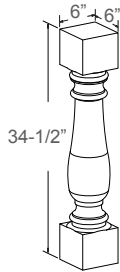
Twisted Split Turn Post



H9 & K3 ONLY.

Item Code	Dimensions	Weight
RPS18	2W x 18H x 3/4D	0.6 LB
RPS24	2W x 24H x 3/4D	0.7 LB
RPS30	2W x 30H x 3/4D	0.9 LB
RPS36	2W x 36H x 3/4D	1.1 LB
RPS42	2W x 42H x 3/4D	1.2 LB

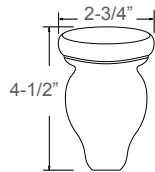
Traditional Rounded Post



NOT Available For E-series : TRP6X6

Item Code	Dimensions	Weight
* TRP6X6	6W x 34-1/2H x 6D	21LB

Tulip Foot



Item Code	Dimensions	Weight
* TF	2-3/4W x 4-1/2H x 2-3/4D	0.5 LB

PLEASE CALL FIRST Availability for a particular product style and color may vary depending on locations. Please check with your local J&K Cabinetry authorized wholesaler for current availability before planning your projects.



WWW.JKCABINetryNC.COM